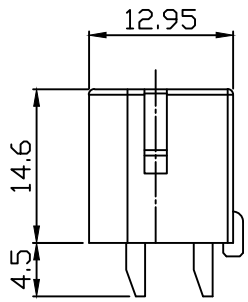
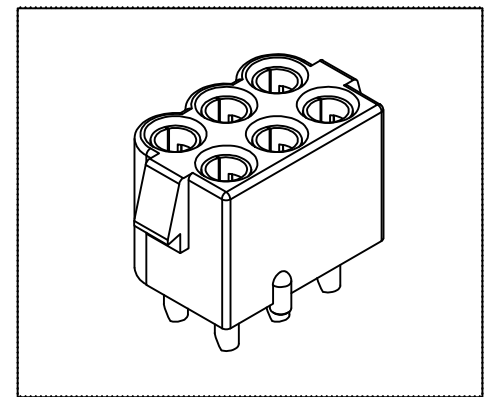
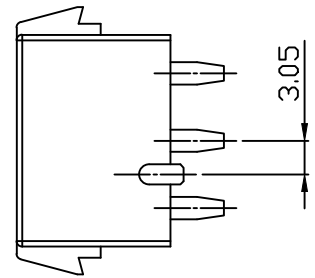
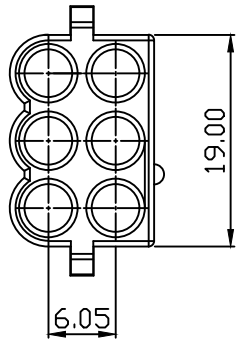
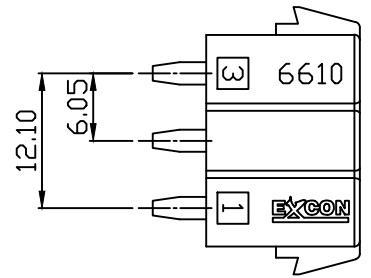


10 9 8 7 6 5 4 3 2 1

PART NO. 661006WV051
 DWG NO. C6610WV



NOTE:

1. Wafer Material: Nylon 66 UL94V2 or V0
Pin/Pos Material: brass bronze.
2. Plated: Tin-plated 50u"min.
3. Insulation resistance: 1000M ohm/min.
4. Withstand voltage: 1500V AC/minute.
5. Current rating: 17A AC/DC.
6. Voltage rating: 250V AC/DC

				UNLESS OTHERWISE SPECIFIED TOLERANCES		EXCON EXCON TECHNOLOGY COMPANY
				3 PLACE ±0.5 ±0.10		
				2 PLACE ±1.5 ±0.25		
				1 PLACE ±2.0 ±0.50		
				ANGLE DIM		
REV.	REVISION			DIS	DATE	
SCALE	REV.	PAGE:	UNIT	mm		DWG NO:
NONE	A	1	THIRD ANGLE PROJECTION			C6610WV
					PART.NO	
					661006WV051	

10 9 8 7 6 5 4 3 2 1