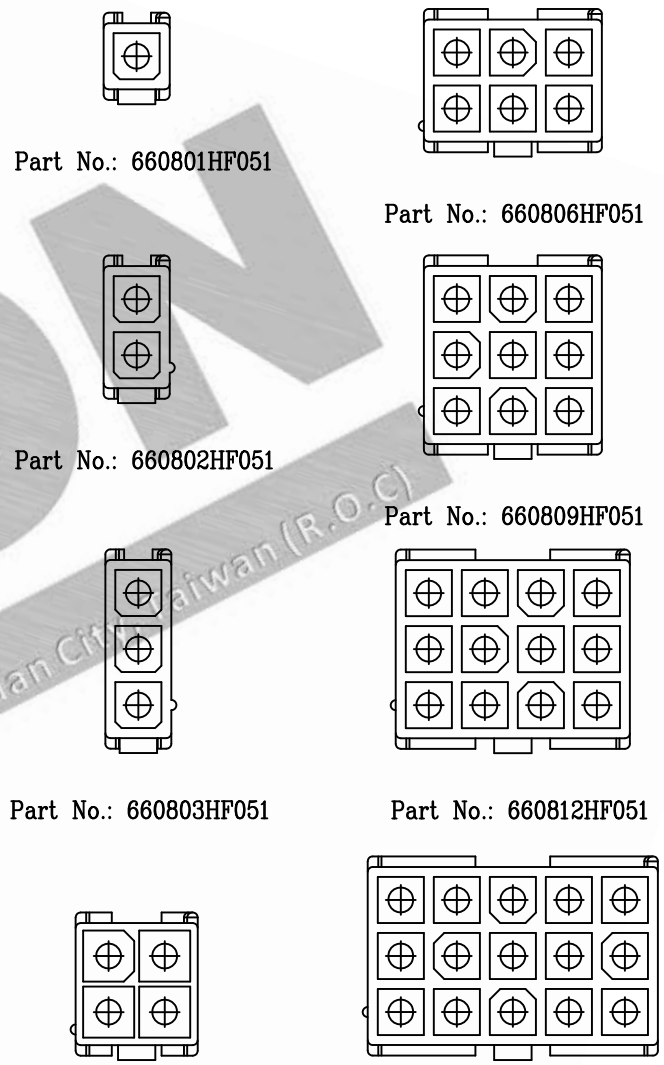
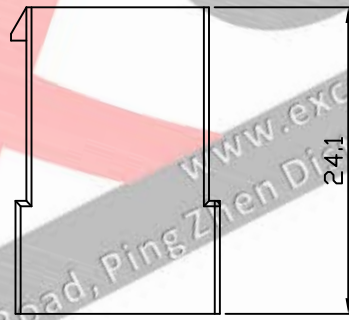
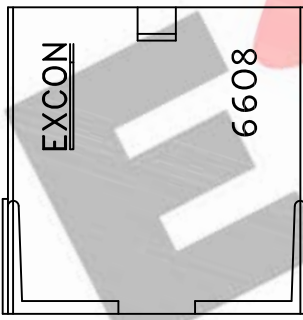
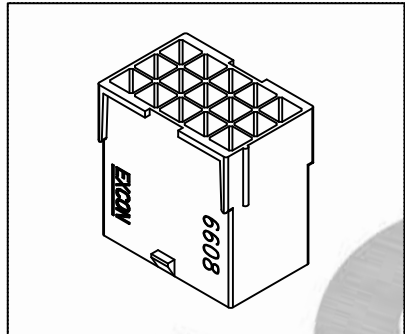
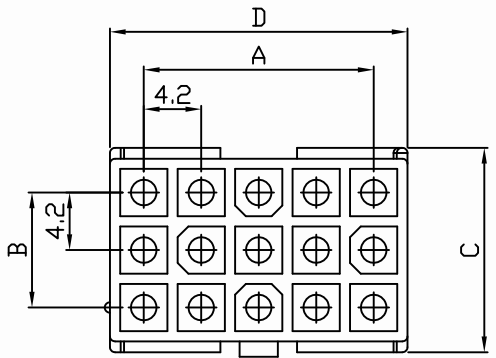


PART NO. 6608xxHF051
 DWG NO. C6608HF



Part No.: 660801HF051

Part No.: 660806HF051

Part No.: 660802HF051

Part No.: 660809HF051

Part No.: 660803HF051

Part No.: 660812HF051

Part No.: 660804HF051

Part No.: 660815HF051

Dimensional & Ordering Information:

Part No.	Circuits	Dim A	Dim B	Dim C	Dim D
660801HF051	1	---	---	8.2	5.6
660802HF051	2	---	4.2	12.4	5.6
660803HF051	3	---	8.4	16.6	5.6
660804HF051	4	4.2	4.2	12.4	9.8
660806HF051	6	8.4	4.2	12.4	14.0
660809HF051	9	13.4	13.4	16.6	14.0
660812HF051	12	12.6	8.4	16.6	18.2
660815HF051	15	16.8	8.4	16.6	22.4

- NOTE:
- Housing Material: Nylon 66 UL94V2
 - Color: Natural
 - Withstand voltage: 1500V AC/minute.
 - Current rating: 5A AC/DC.
 - Voltage rating: 600V AC/DC

SCALE	REV.	PAGE	UNIT	PROJ.	DWG NO:	PART NO
1/1	A	1/1	THIRD ANGLE PROJECTION		C6608HF	6608xxHF051



UNLESS OTHERWISE SPECIFIED TOLERANCES
 3 PLACE ±0.5 ±0.10
 2 PLACE ±1.5 ±0.35
 1 PLACE ±2.0 ±0.50
 ANGLE DIM