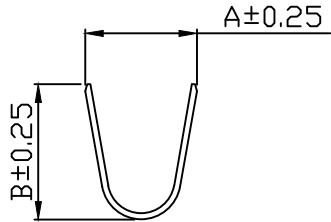
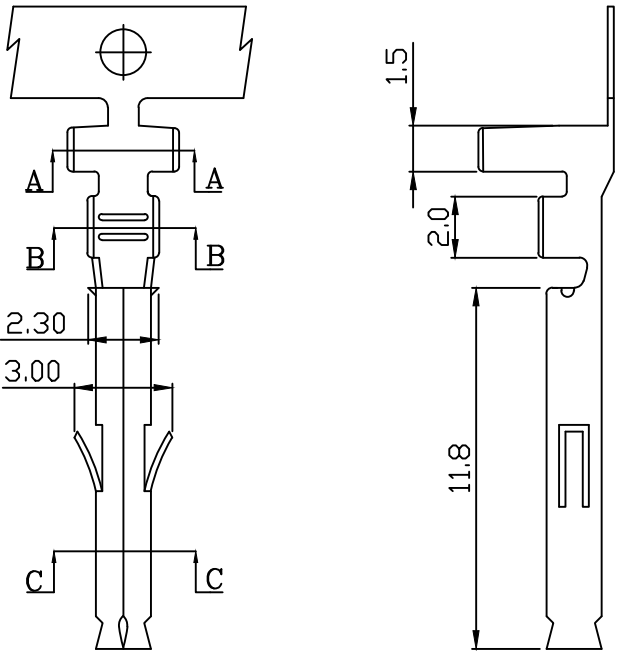


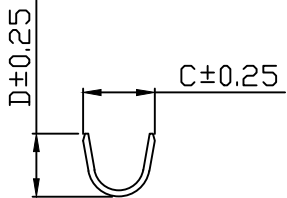
10 9 8 7 6 5 4 3 2 1

PART NO. 660800TB051  
 DWG NO. C6608TB

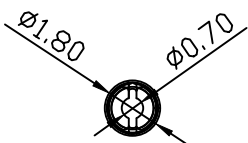
NOTE:  
 1. Material: Brass  
 2. Finish: Tin pre-plated



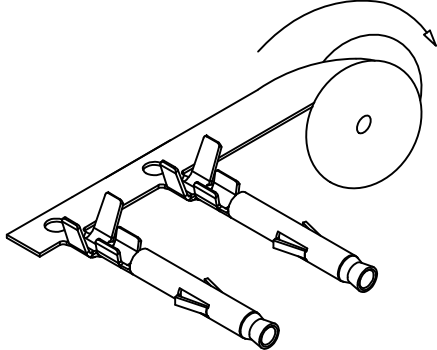
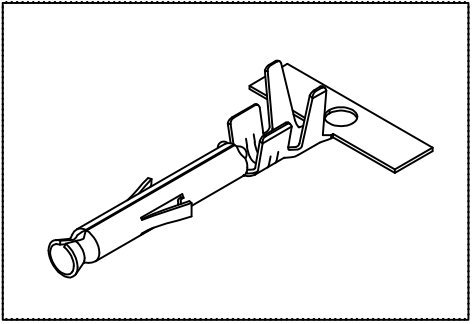
SEC A-A



SEC B-B



SEC C-C



No.	Part No.	Material	Finish	A	B	C	D
1	660800TS051	Brass	Tin pre-plated	2.5	1.93	1.6	1.37
2	660800TM051			2.9	2.9	1.8	1.8
3	660800TB051			3.6	4.4	2.2	2.7
4	660800TY051			3.8	4.9	2.1	2.5

				UNLESS OTHERWISE SPECIFIED TOLERANCES		<b>EXCON</b> EXCON TECHNOLOGY COMPANY
				3 PLACE ±0.5 ±0.10		
				2 PLACE ±1.5 ±0.25		
				1 PLACE ±2.0 ±0.50		PART.NO
				ANGLE DIM		
REV.	REVISION			DIS	DATE	DWG NO:
SCALE	REV.	PAGE:	UNIT	m		
NONE	B	1	THIRD ANGLE PROJECTION			C6608TB
						660800TB051

10 9 8 7 6 5 4 3 2 1