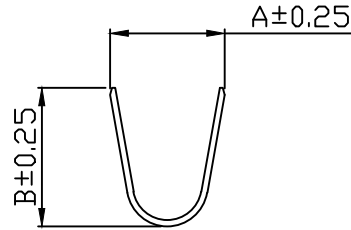
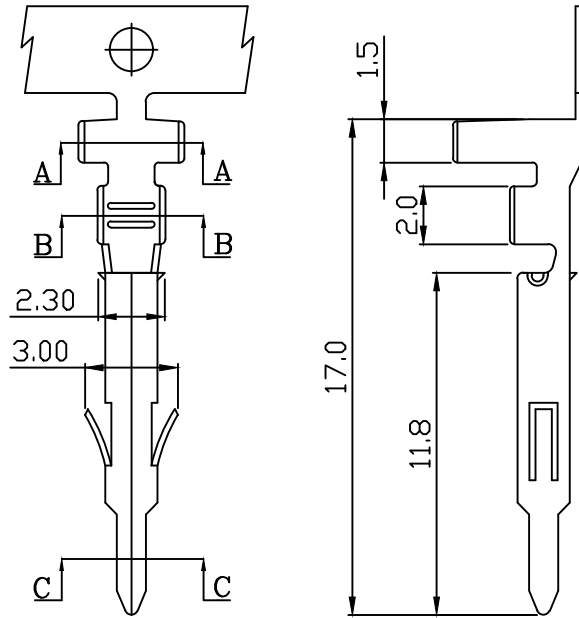
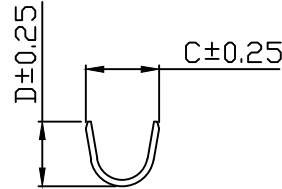


10 9 8 7 6 5 4 3 2 1

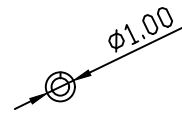
PART NO. 660800TA051
 DWG NO. C6608TA



SEC A-A



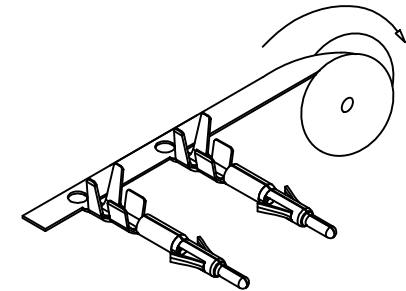
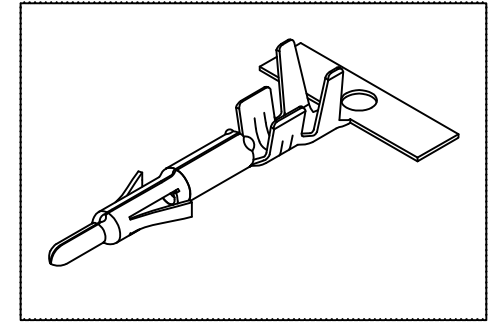
SEC B-B



SEC C-C

NOTE:

1. Material: Brass
2. Finish: Tin pre-plated



No.	Part No.	Material	Finish	A	B	C	D
1	660800TW051	Brass	Tin pre-plated	2.5	1.93	1.6	1.37
2	660800TP051			2.9	2.9	1.8	1.8
3	660800TA051			3.6	4.4	2.2	2.7
4	660800TX051			3.8	4.9	2.1	2.5

				UNLESS OTHERWISE SPECIFIED TOLERANCES		EXCON EXCON TECHNOLOGY COMPANY
				3 PLACE $\pm 0.5 \pm 0.10$		
				2 PLACE $\pm 1.5 \pm 0.25$		
				1 PLACE $\pm 2.0 \pm 0.50$		PART.NO
				ANGLE DIM		
REV.	REVISIONI			DIS	DATE	DWG NO:
SCALE	REV.	PAGE:	UNIT	mm		
NONE	B	1	THIRD ANGLE PROJECTION			C6608TA
						660800TA051

10 9 8 7 6 5 4 3 2 1