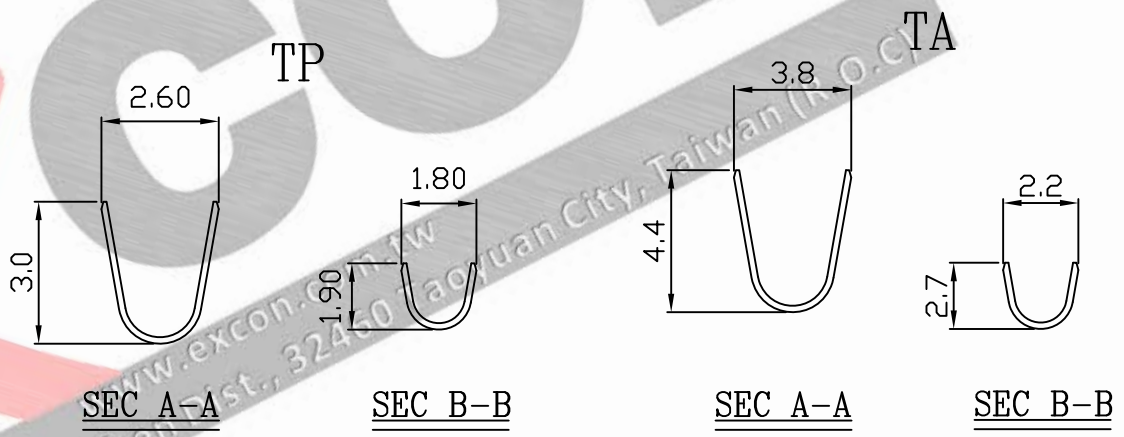
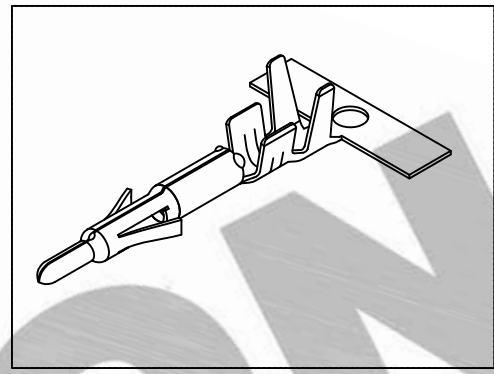
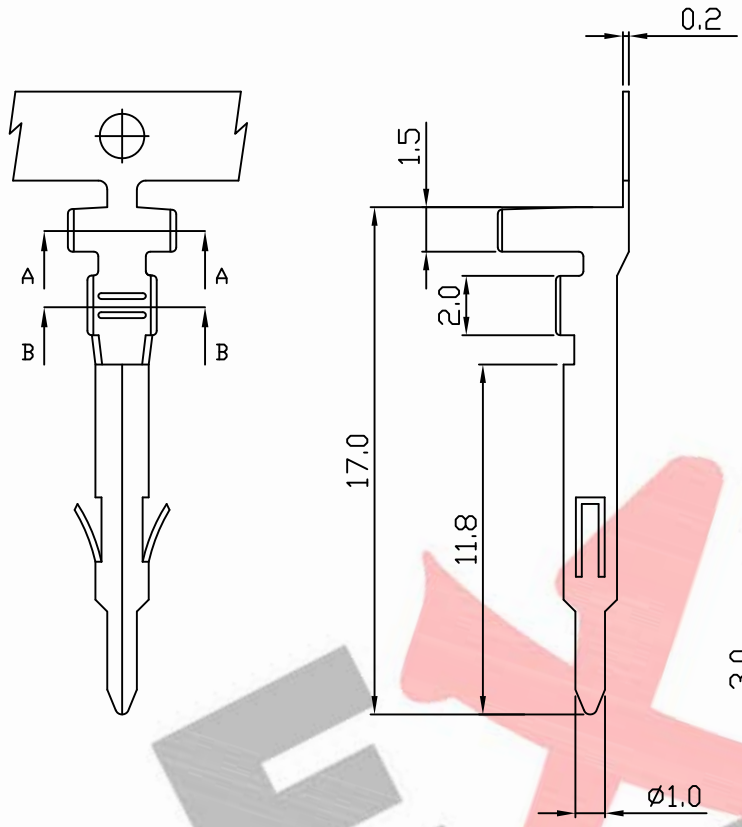


PART NO. 660800TPxxx  
 DWG NO. C6608TP



- NOTE 1 :
1. Terminal Material: Brass / Phosphor bronze
  2. Plated: Ni 25u"min Tin-plated 50u"min.
  3. Applicable wires: #24~#18
  4. Q'ty / reel: 4,000 pcs

Part No.	Wire Range	Insulation O.D.	Material	Finishing
660800TA051	AWG#22~#18	1.7-3.0mm	Brass	Tin pre-plated
660800TA351	AWG#22~#18	1.7-3.0mm	Phosphor	
660800TP051	AWG#26~#22	1.2-1.7mm	Brass	
660800TP351	AWG#26~#22	1.2-1.7mm	Phosphor	

				UNLESS OTHERWISE SPECIFIED TOLERANCES		 <b>EXCON TECHNOLOGY COMPANY</b>	
				3 PLACE ±0.5 ±0.10			
				2 PLACE ±1.5 ±0.35			
				1 PLACE ±2.0 ±0.50			
				ANGLE DIM			
REV.	REVISIONI			DIS	DATE		
SCALE	REV.	PAGE:	UNIT	mm		DWG NO:	PART.NO
4/1	A	1	THIRD ANGLE PROJECTION			C6608TP	660800TPxxx