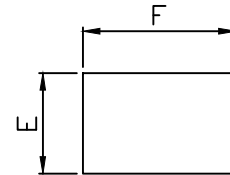
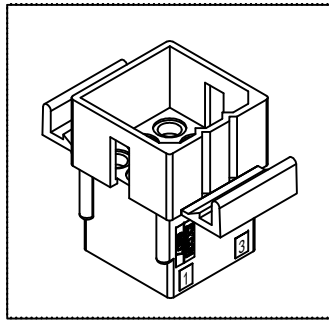
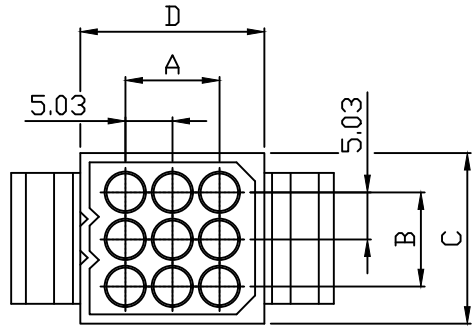
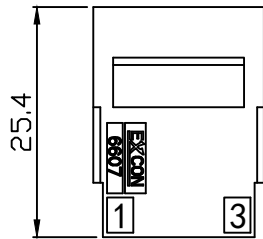
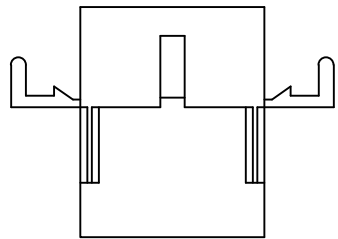


PART NO.
6607xx09HP051
DWG NO.
C6607HP



Dimensional & Ordering Information:

Part No.	Circuits	Dim A	Dim B	Dim C	Dim D	Dim E	Dim F
660702HP051	2	5.03	--	8.6	13.63	9.53	20.32
660703HP051	3	10.06	--	8.6	18.66	9.53	23.7
660704HP051	4	15.09	--	8.6	23.69	9.53	28.73
6607A4HP051	4	5.03	5.03	13.63	13.63	17.76	14.5
660705HP051	5	20.12	--	8.6	28.72	9.53	33.8
660706HP051	6	5.03	10.06	18.66	13.63	17.76	19.05
660708HP051	9	10.06	10.06	18.66	18.66	19.3	23.8
660712HP051	12	15.09	10.06	18.66	23.69	19.3	29.34
660715HP051	15	20.12	10.06	18.66	28.72	19.3	34.11



Part No.: 660702HP051

Part No.: 660703HP051

Part No.: 660704HP051

Part No.: 660705HP051

Part No.: 6607A4HP051

Part No.: 660706HP051

Part No.: 660709HP051

Part No.: 660712HP051

Part No.: 660715HP051

NOTE:

1. Housing Material: Nylon 66 UL94V2
2. Color: Natural
3. Withstand voltage: 1500V AC/minute.
4. Current rating: 5A AC/DC.
5. Voltage rating: 600V AC/DC

				UNLESS OTHERWISE SPECIFIED TOLERANCES		 EXCON TECHNOLOGY COMPANY
				3 PLACE ±0.5 ±0.10		
				2 PLACE ±1.5 ±0.25		
				1 PLACE ±2.0 ±0.50		
REV.	REVISIONI			DIS	DATE	
SCALE	REV.	PAGE:	UNIT	mm		DWG NO:
4/1	A	1	THIRD ANGLE PROJECTION			C6607HP
						PART.NO
						6607xxHP051