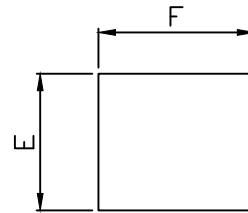
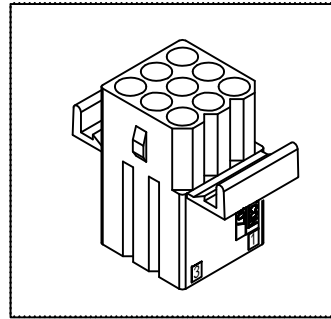
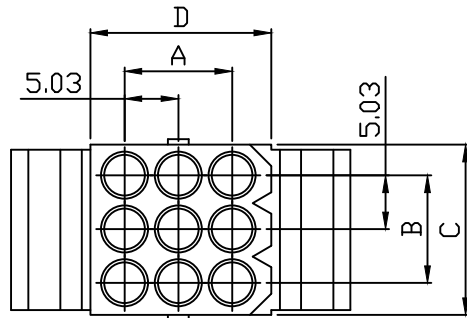


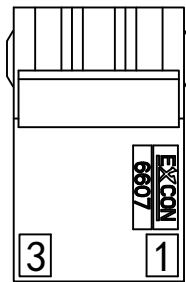
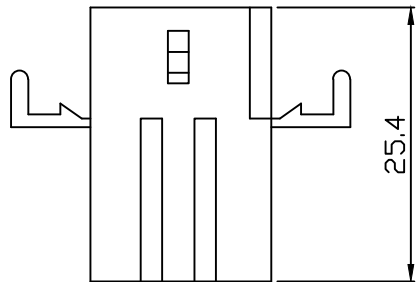
PART NO.
6607xx09HM051
DWG NO.
C6607HM



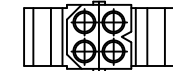
LAYOUT

Dimensional & Ordering Information:

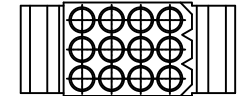
Part No.	Circuits	Dim A	Dim B	Dim C	Dim D	Dim E	Dim F
660702HM051	2	5.03	--	6.35	11.38	7.92	18.42
660703HM051	3	10.06	--	6.35	16.41	7.92	21.1
660704HM051	4	15.09	--	6.35	21.44	7.92	26.37
6607A4HM051	4	5.03	5.03	11.38	11.38	7.92	31.5
660705HM051	5	20.12	--	6.35	26.47	15.24	12.7
660706HM051	6	5.03	10.06	16.41	11.38	15.24	17.22
660709HM051	9	10.06	10.06	16.41	16.41	18.42	21.03
660712HM051	12	15.09	10.06	16.41	21.44	18.42	26.67
660715HM051	15	20.12	10.06	16.41	26.47	18.42	31.5



Part No.: 660702HM051



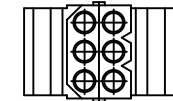
Part No.: 6607A4HM051



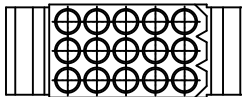
Part No.: 660712HM051



Part No.: 660703HM051



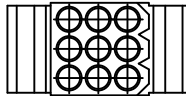
Part No.: 660706HM051



Part No.: 660715HM051



Part No.: 660704HM051



Part No.: 660709HM051



Part No.: 660705HM051

NOTE:

1. Housing Material: Nylon 66 UL94V2
2. Color: Natural
3. Withstand voltage: 1500V AC/minute.
4. Current rating: 5A AC/DC.
5. Voltage rating: 600V AC/DC

REV.		REVISION		DIS	DATE	UNLESS OTHERWISE SPECIFIED TOLERANCES 3 PLACE ±0.5 ±0.10 2 PLACE ±1.5 ±0.25 1 PLACE ±2.0 ±0.50 ANGLE DIM	 EXCON TECHNOLOGY COMPANY
SCALE	REV.	PAGE	UNIT				
4/1	A	1	THIRD ANGLE PROJECTION			C6607HM	6607xxHM051