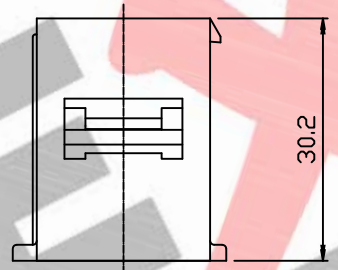
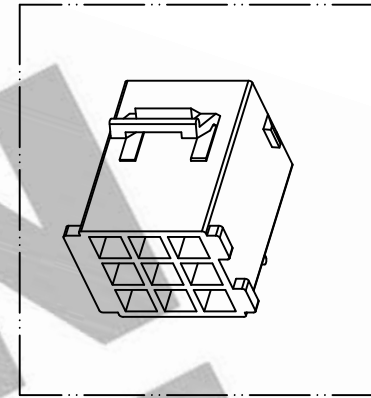
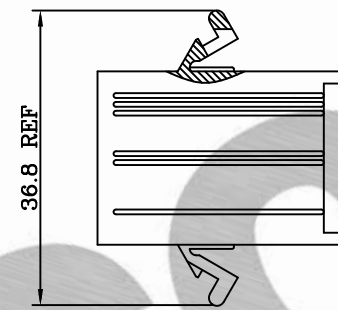
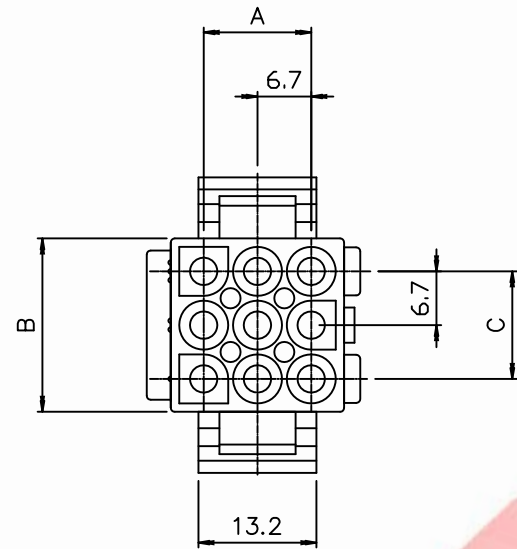


PART NO. 6606xxHP051
 DWG NO. C6606HP



Dimensional & Ordering Information:

Part No.	Circuits	Dim A	Dim B	Dim C
660601HP051	1		8.20	
660602HP051	2		14.90	6.70
660603HP051	3		21.60	13.40
660604HP051	4		28.30	20.10
660606HP051	6	6.70	21.60	13.40
660609HP051	9	13.40	21.60	13.40
660612HP051	12	20.10	28.30	20.10
660615HP051	15	26.80	35.00	26.80

NOTE:

1. Wafer Material: Nylon 66 UL94V-2
Pin/Pos Material: brass bronze.
2. Plated: Tin-plated 50u"min.
3. Insulation resistance: 1000M ohm/min.
4. Withstand voltage: 1500V AC/minute.
5. Current retang: 5A AC/DC.
6. Voltage rating: 250V AC/DC

				UNLESS OTHERWISE SPECIFIED TOLERANCES		 EXCON TECHNOLOGY COMPANY
				3 PLACE ±0.5 ±0.10		
				2 PLACE ±1.5 ±0.25		
				1 PLACE ±2.0 ±0.50		
				ANGLE DIM		
REV.	REVISIONI			DIS	DATE	
SCALE	REV.	PAGE:	UNIT	mm		DWG NO:
2/1	B	2	THIRD ANGLE PROJECTION			C6606HP
					PART.NO	
					6606xxHP051	

www.excon.com.tw
 89, Xing Long Road, Ping Zhen Dist., 32460 Taoyuan City, Taiwan (R.O.C)