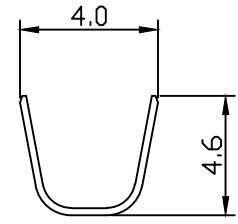
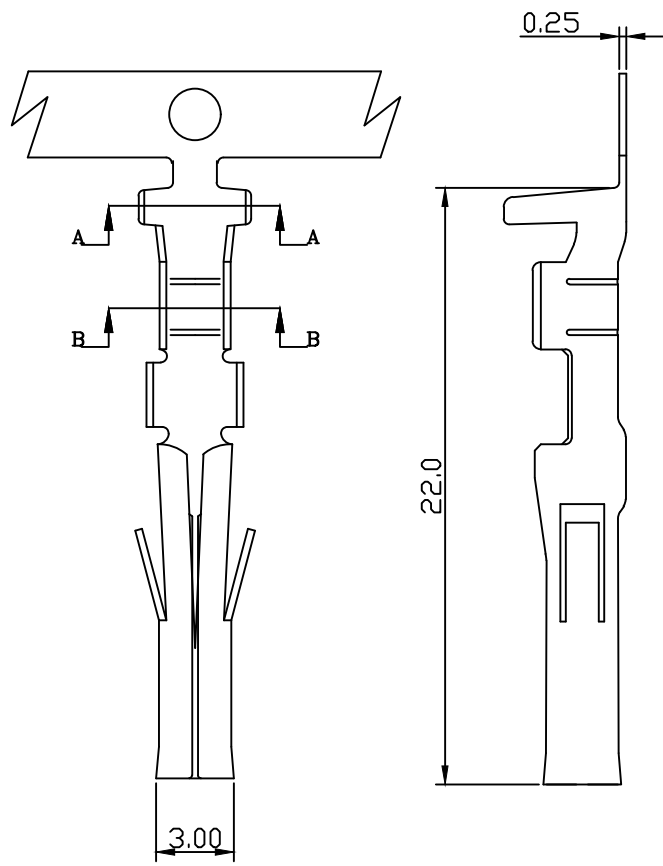
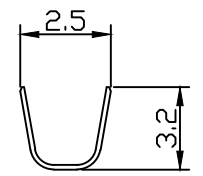


10 9 8 7 6 5 4 3 2 1

PART NO. 660600TM051  
 DWG NO. Q6606TM



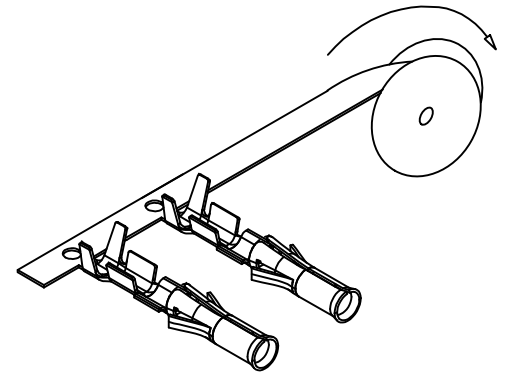
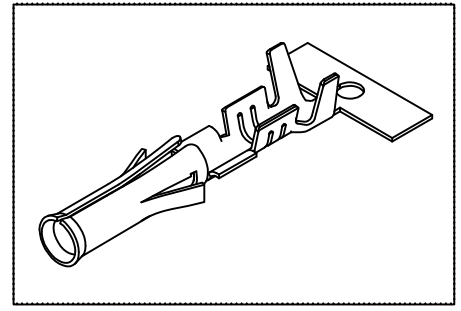
SEC A-A





SEC B-B

**NOTE:**

1. Terminal Material: Brass bronze
2. Plated: Ni 25u"min Tin-plated 50u"min.
3. Insulation O.D.: 1.4~2.1mm
4. Applicable wires: #24~#18
5. Q'ty / reel: 4,000pcs



				UNLESS OTHERWISE SPECIFIED TOLERANCES		 <b>EXCON TECHNOLOGY COMPANY</b>
				3 PLACE ±0.5 ±0.10		
				2 PLACE ±1.5 ±0.25		
				1 PLACE ±2.0 ±0.50		
				ANGLE DIM		
REV.	REVISIONI			DIS	DATE	
SCALE	REV.	PAGE:	UNIT	mm		DWG NO:
NONE	B	1	THIRD ANGLE PROJECTION			Q6606TM
					PART.NO	
					660600TM051	

10 9 8 7 6 5 4 3 2 1