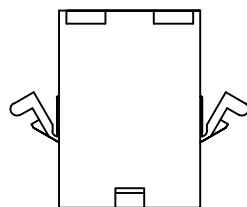
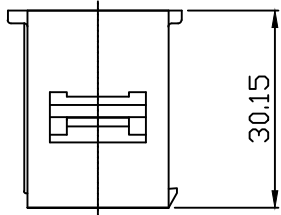
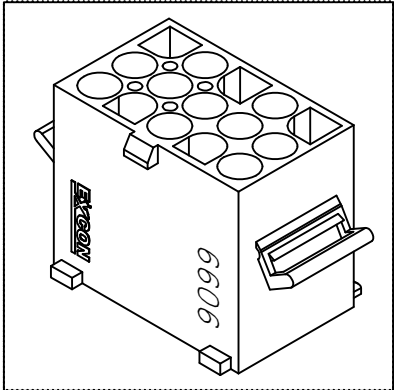
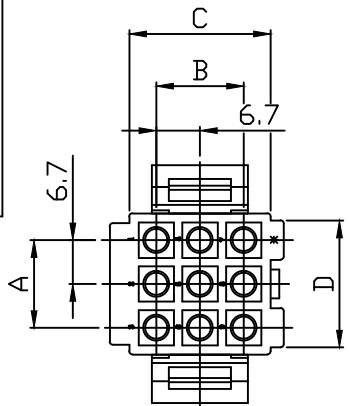


PART NO. 6606xxHP051  
 DWG NO. Q6606HP

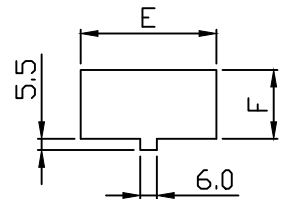


**Dimensional & Ordering Information:**

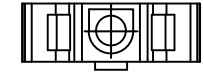
Part No.	Circuits	Dim A	Dim B	Dim C	Dim D	Dim E	Dim F
660601HP051	1	---	---	8.15	8.15	13.30	10.0
660602HP051	2	6.7	---	8.15	14.85	19.55	10.0
660603HP051	3	13.4	---	8.15	21.55	26.35	10.0
660604HP051	4	20.1	---	8.15	28.25	33.15	10.0
660606HP051	6	13.4	6.7	15.35	21.55	26.80	17.30
660609HP051	9	13.4	13.4	22.05	21.55	26.25	23.10
660612HP051	12	20.1	13.4	22.05	28.25	32.85	23.10
660615HP051	15	26.8	13.4	22.05	34.95	39.42	23.10

**NOTE:**

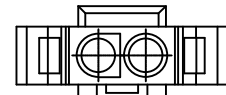
1. Housing Material: Nylon 66 UL94V2
2. Color: Natural
3. Withstand voltage: 1500V AC/minute.
4. Current rating: 5A AC/DC.
5. Voltage rating: 600V AC/DC



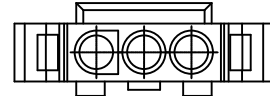
**LAYOUT**



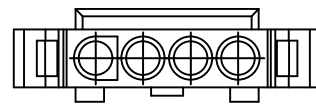
660601HP051



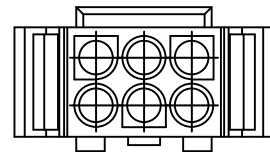
660602HP051



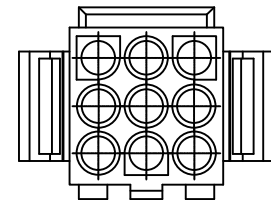
660603HP051



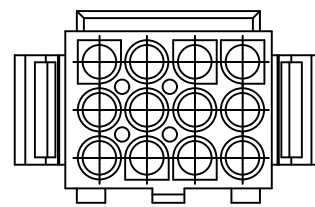
660604HP051



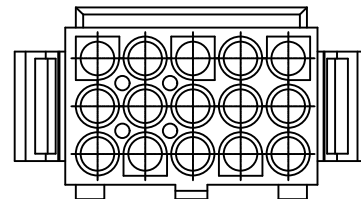
660606HP051



660609HP051



660612HP051



660615HP051

REV.		REVISIONI		DIS	DATE	UNLESS OTHERWISE SPECIFIED TOLERANCES 3 PLACE ±0.5 ±0.10 2 PLACE ±1.5 ±0.25 1 PLACE ±2.0 ±0.50 ANGLE DIM	 <b>EXCON TECHNOLOGY COMPANY</b>
SCALE	REV.	PAGE:	UNIT	mm			
NONE	B	1	THIRD ANGLE PROJECTION			Q6606HP	6606xxHP051