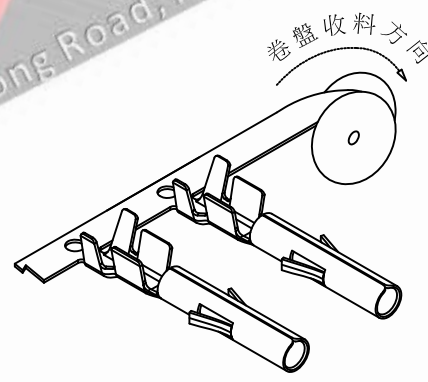
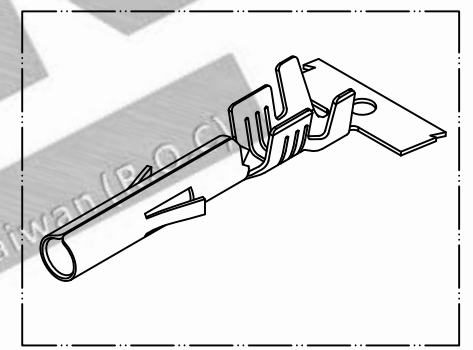
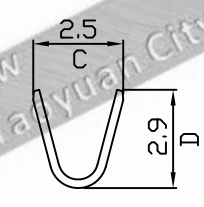
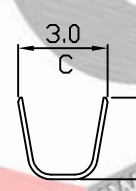
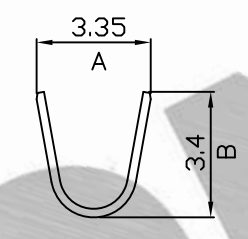
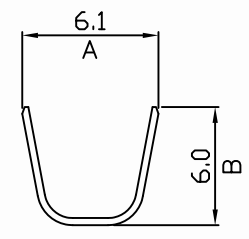
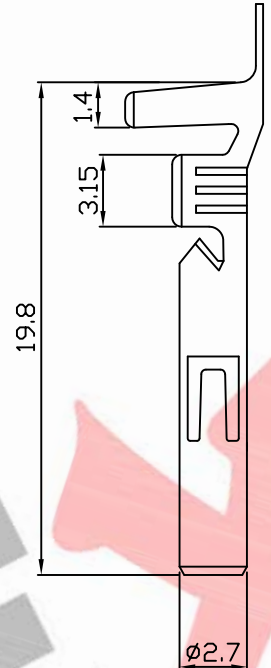
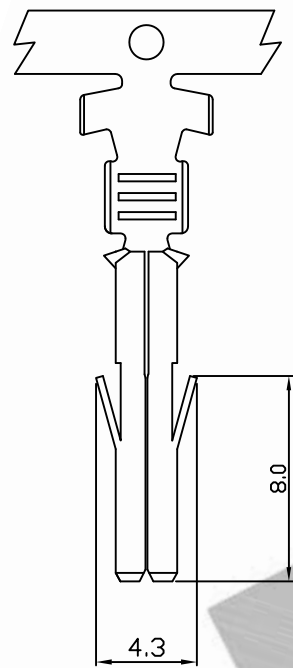


PART NO. 660500TBxxx
 DWG NO. C6605TB



- NOTE 1 :
1. Terminal Material: Brass bronze or Phosphor
 2. Plated: Ni 25u"min Tin-plated 50u"min.
 3. Applicable wires: See table
 4. Q'ty / reel: See table

No.	Part No.	DIM (mm)				Wire Range	Insulation O.D	Material	Finish	Q'ty/reel
		A	B	C	D					
1	660500TB051	6.1	6.0	3.0	3.4	AWG#18~#14	3.3-5.08mm	Brass	Pre-plated tin	3,000pcs
2	660500TH051	4.1	4.6	3.1	3.6	AWG#20~#14	3.3-5.08mm			4,000pcs
3	660500TM051	3.5	3.4	2.9	3.0	AWG#24~#18	1.0-2.5mm	phosphor	Pre-plated tin	7,000pcs
4	660500TB351	6.1	6.0	3.0	3.4	AWG#18~#14	3.3-5.08mm			3,000pcs
5	660500TH351	4.1	4.6	3.1	3.6	AWG#20~#14	3.3-5.08mm	phosphor	Pre-plated tin	4,000pcs
6	660500TM351	3.5	3.4	2.9	3.0	AWG#24~#18	1.0-2.5mm			7,000pcs

				UNLESS OTHERWISE SPECIFIED TOLERANCES		 EXCON TECHNOLOGY COMPANY	
				3 PLACE ±0.5 ±0.10			
				2 PLACE ±1.5 ±0.25			
				1 PLACE ±2.0 ±0.50			
REV.	REVISIONI			DIS	DATE	ANGLE DIM	
SCALE	REV.	PAGE:	UNIT	M M		DWG NO:	PART.NO
3/1	A	1	THIRD ANGLE PROJECTION			C6605TB	660500TBxxx