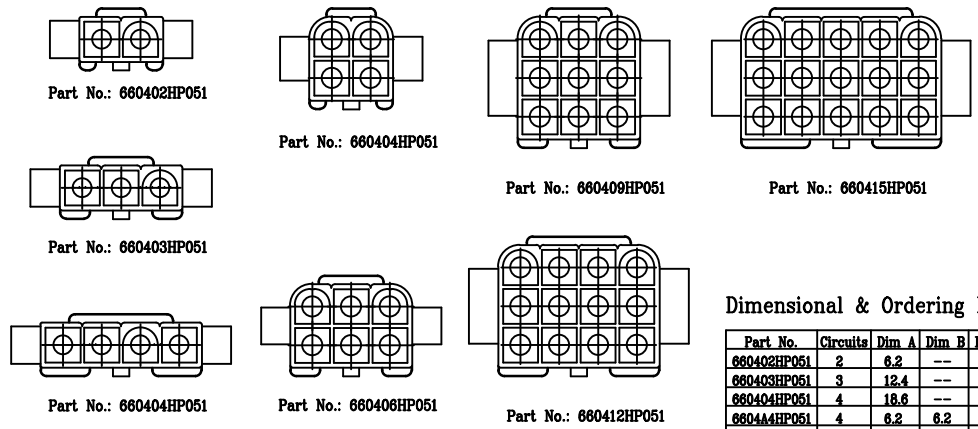
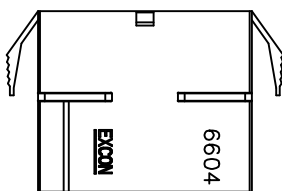
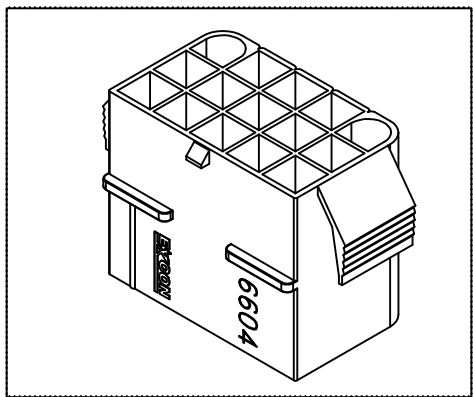
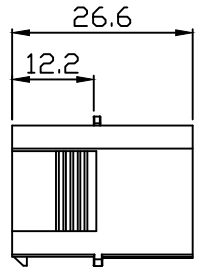
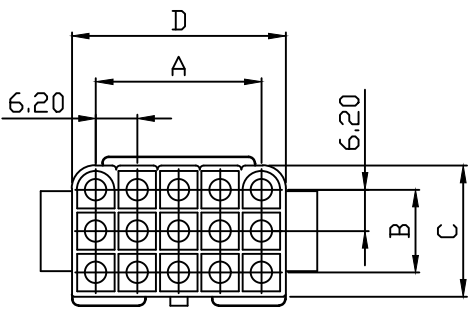


10 9 8 7 6 5 4 3 2 1

PART NO. 6604xxHP051
 DWG NO. C6604HP



Dimensional & Ordering Information:

Part No.	Circuits	Dim A	Dim B	Dim C	Dim D
660402HP051	2	6.2	--	7.2	13.4
660403HP051	3	12.4	--	7.2	19.6
660404HP051	4	18.6	--	7.2	25.8
660406HP051	6	12.4	6.2	13.4	19.6
660408HP051	8	12.4	12.4	19.6	19.6
660412HP051	12	18.6	12.4	19.6	25.8
660415HP051	15	24.8	12.4	19.6	32.0

NOTE:

1. Housing Material: Nylon 66 UL94V-0
2. Insulation resistance: 1000MΩ /min.
3. Withstand voltage: 1500V AC/minute.
4. Current rating: 5A AC/DC.
5. Voltage rating: 300V AC/DC

				UNLESS OTHERWISE SPECIFIED TOLERANCES		EXCON EXCON TECHNOLOGY COMPANY	
				3 PLACE ±0.5 ±0.10			
				2 PLACE ±1.5 ±0.25		PART.NO	
				1 PLACE ±2.0 ±0.50			
				ANGLE DIM		6604xxHP051	
REV.	REVISIONI		DIS	DATE	DWG NO:		
SCALE	REV.	PAGE:	UNIT	mm	PART.NO		
NONE	B	1	THIRD ANGLE PROJECTION		C6604HP		

10 9 8 7 6 5 4 3 2 1