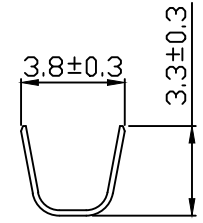
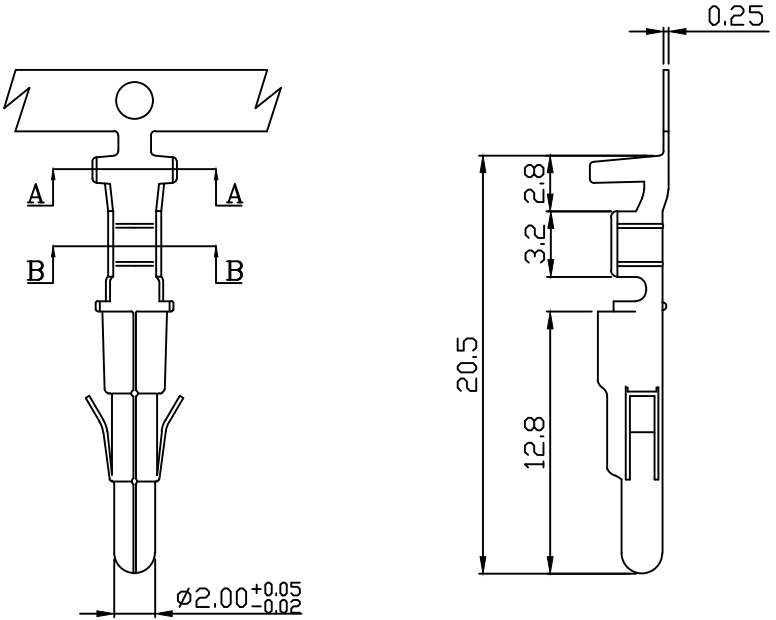
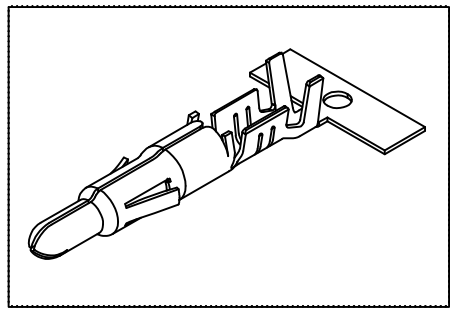
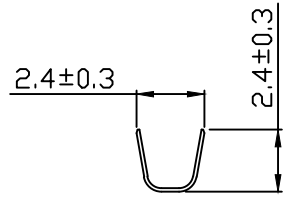


10 9 8 7 6 5 4 3 2 1

PART NO. 660400TP051
 DWG NO. Q6604TP



SEC A-A



SEC B-B

No.	Part No.	Material	Finish
1	660400TP051	Brass	Tin pre-plated
2	660400TP351	Phosphor	

NOTE 1 :

1. Terminal Material: Brass or Phosphor bronze.
2. Plated: Ni 25u"min Tin-plated 50u"min.
3. Applicable wires: #22~#18
4. Q'ty / reel: 5,000 pcs

				UNLESS OTHERWISE SPECIFIED TOLERANCES		 EXCON TECHNOLOGY COMPANY
				3 PLACE ± 0.5 ± 0.10		
				2 PLACE ± 1.5 ± 0.25		PART.NO
				1 PLACE ± 2.0 ± 0.50		
				ANGLE DIM		PART.NO
REV.	REVISIONI		DIS	DATE	DWG NO:	
SCALE	REV.	PAGE:	UNIT	mm	PART.NO	
NONE	B	1	THIRD ANGLE PROJECTION		660400TP051	
					Q6604TP	

10 9 8 7 6 5 4 3 2 1