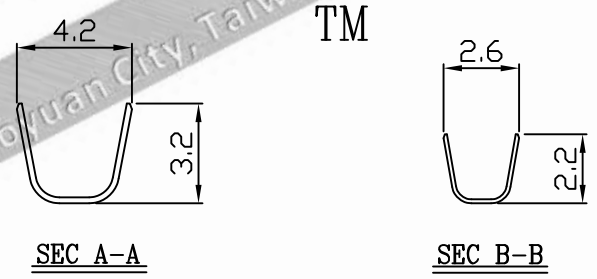
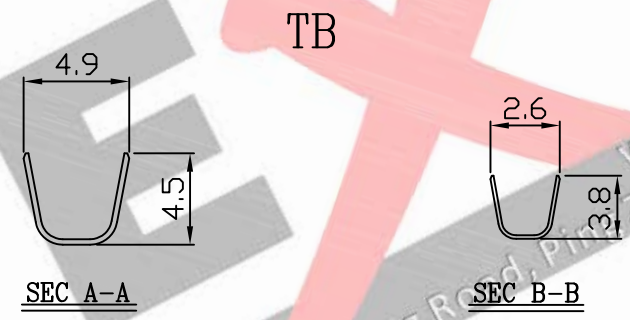
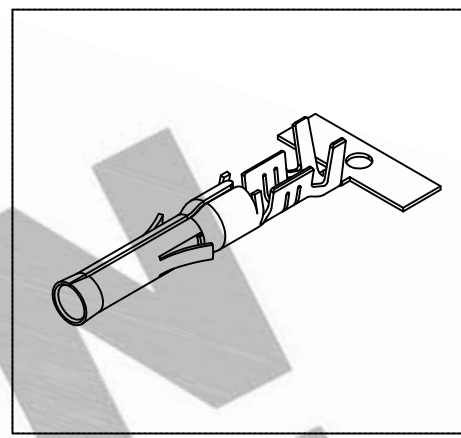
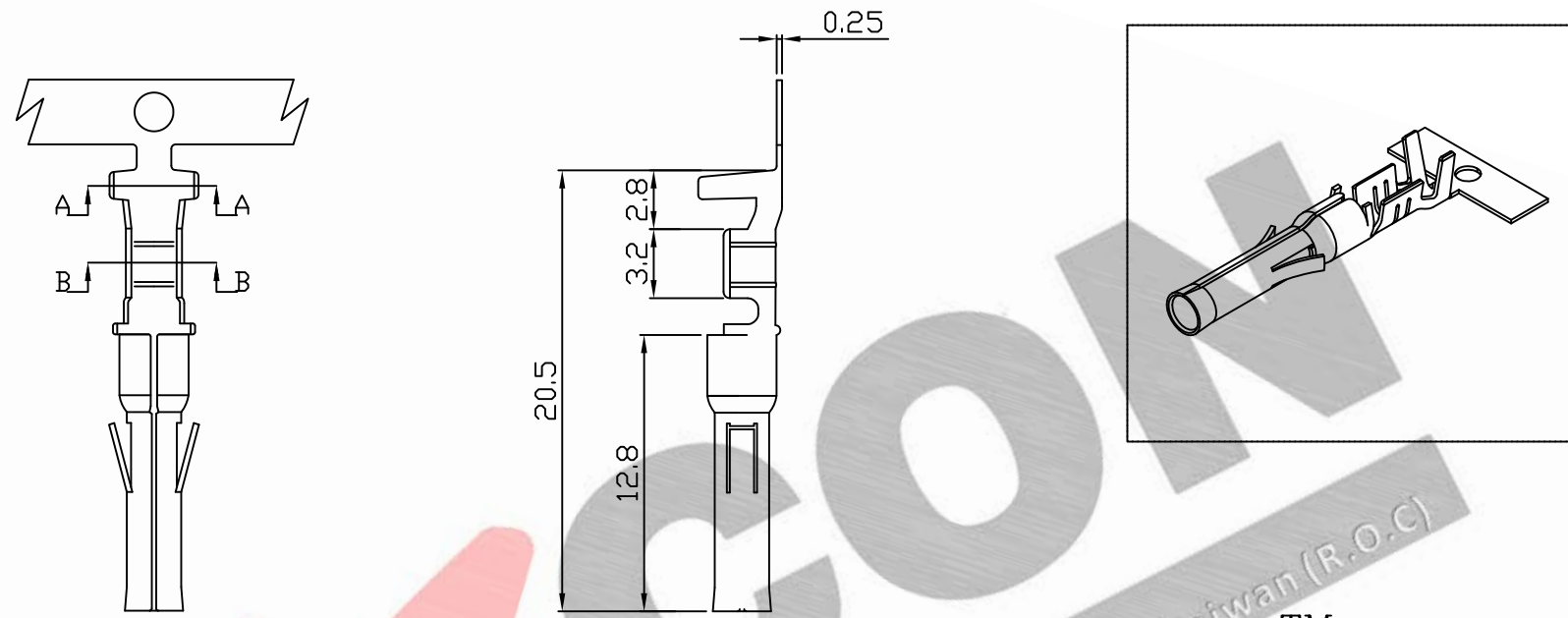


10 9 8 7 6 5 4 3 2 1

PART NO. 660400TMxxx  
 DWG NO. C6604TM



Part No.	Wire Range	Insulation O.D.	Material	Finishing
660400TB051	AWG#20~#14	1.7-3.0mm	Brass	Tin pre-plated
660400TB351	AWG#20~#14	1.7-3.0mm	Phosphor	
660400TM051	AWG#26~#18	1.2-1.7mm	Brass	
660400TM351	AWG#26~#18	1.2-1.7mm	Phosphor	

NOTE:

1. Terminal Material: Brass and phosphor bronze.
2. Plated: Ni 25u"min Tin-plated 50u"min.
3. Applicable wires: See table
4. Q'ty/reel: See table

REV.		REVISIONI		DIS	DATE	UNLESS OTHERWISE SPECIFIED TOLERANCES 3 PLACE ±0.5 ±0.10 2 PLACE ±1.5 ±0.35 1 PLACE ±2.0 ±0.50 ANGLE DIM	 EXCON TECHNOLOGY COMPANY		
SCALE	REV.	PAGE:	UNIT	mm				DWG NO:	PART.NO
4/1	A	1	THIRD ANGLE PROJECTION					C6604TM	660400TMxxx

10 9 8 7 6 5 4 3 2 1