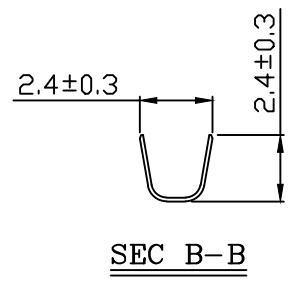
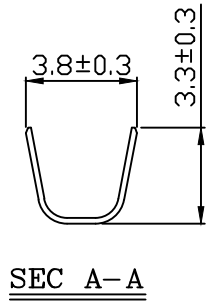
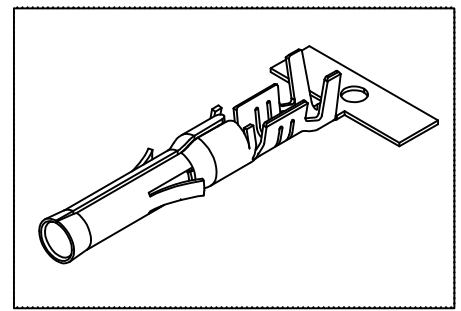
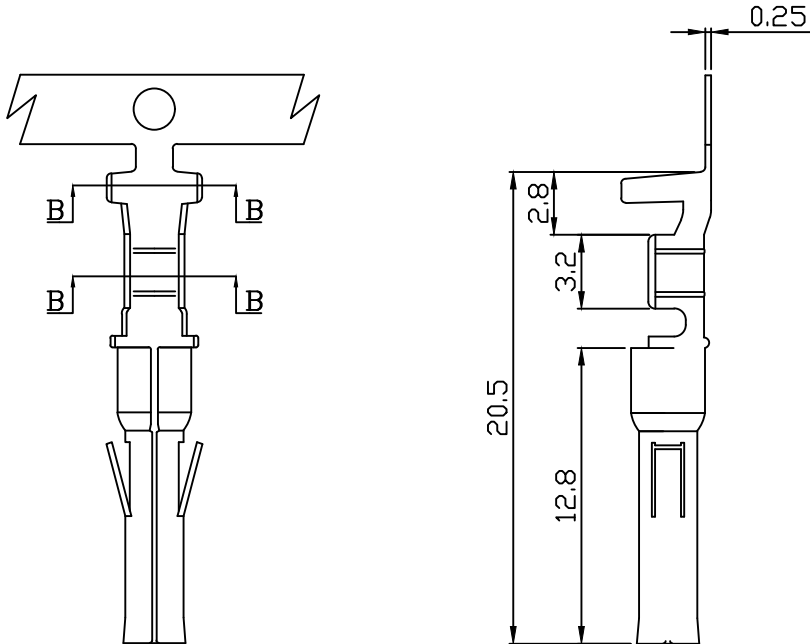


10 9 8 7 6 5 4 3 2 1

PART NO. 660400TM051  
 DWG NO. C6604TM



No.	Part No.	Material	Finish
1	660400TM051	Brass	Tin pre-plated
2	660400TM351	Phosphor	

NOTE 1 :

1. Terminal Material: Brass or Phosphor bronze.
2. Plated: Ni 25u"min Tin-plated 50u"min.
3. Applicable wires: #22~#18
4. Q'ty / reel: 5,000 pcs

REV.	REVISION	DIS	DATE
SCALE	REV.	PAGE:	UNIT
NONE	B	1	mm

UNLESS OTHERWISE SPECIFIED TOLERANCES  
 3 PLACE ±0.5 ±0.10  
 2 PLACE ±1.5 ±0.25  
 1 PLACE ±2.0 ±0.50  
 ANGLE DIM



DWG NO:	PART.NO
C6604TM	660400TM051

10 9 8 7 6 5 4 3 2 1