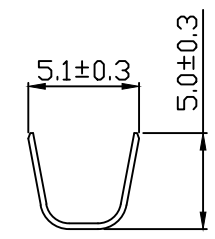
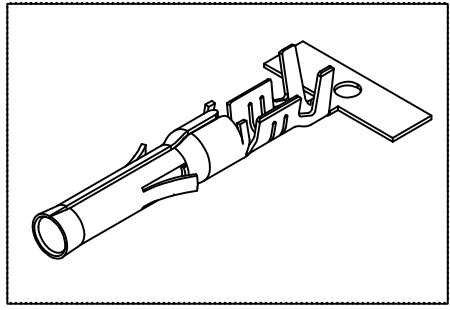
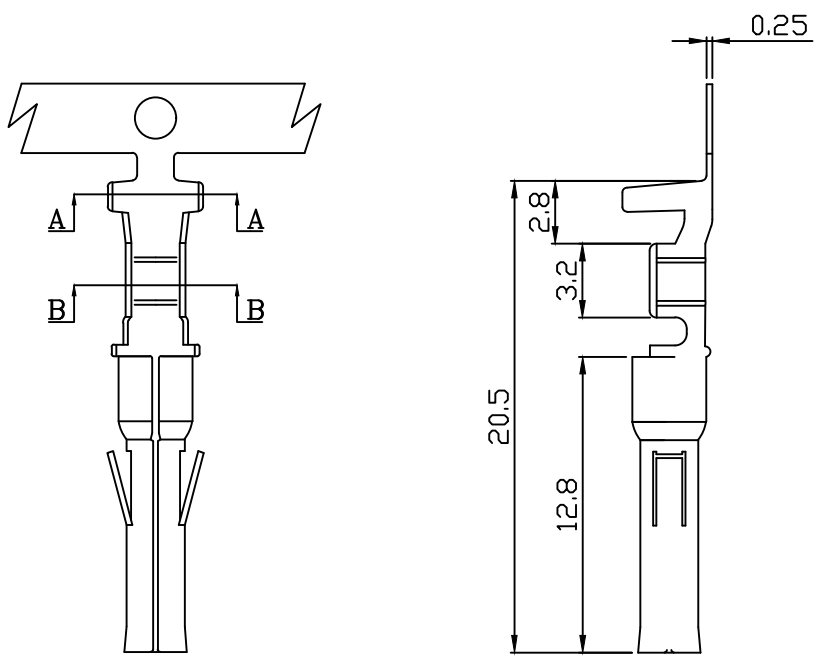
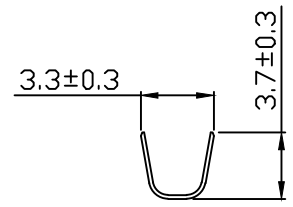


10 9 8 7 6 5 4 3 2 1

PART NO. 660400TB051
 DWG NO. C6604TB



SEC A-A



SEC B-B

No.	Part No.	Material	Finish
1	660400TB051	Brass	Tin pre-plated
2	660400TB351	Phosphor	

NOTE 1 :

1. Terminal Material: Brass or Phosphor bronze.
2. Plated: Ni 25u"min Tin-plated 50u"min.
3. Applicable wires: #20~#14
4. Q'ty / reel: 3,500 pcs

REV.	REVISION	DIS	DATE
SCALE	REV.	PAGE	UNIT
NONE	B	1	mm

UNLESS OTHERWISE SPECIFIED TOLERANCES
 3 PLACE ±0.5 ±0.10
 2 PLACE ±1.5 ±0.25
 1 PLACE ±2.0 ±0.50
 ANGLE DIM



DWG NO:	C6604TB	PART.NO	660400TB051
---------	---------	---------	-------------

10 9 8 7 6 5 4 3 2 1