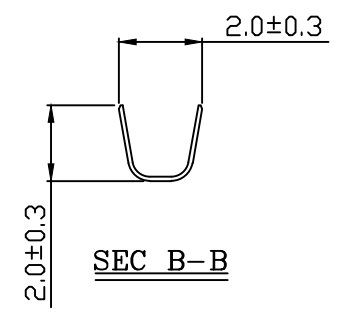
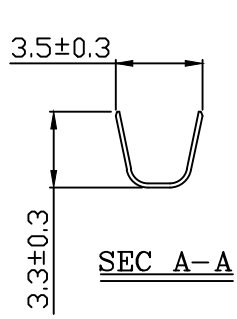
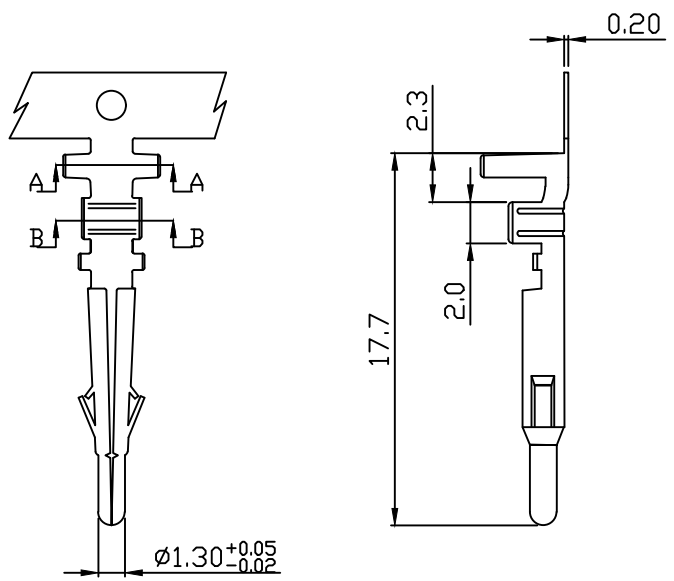
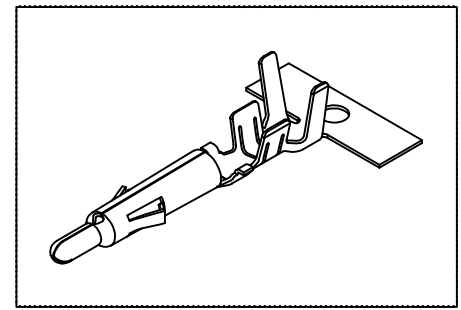


10 9 8 7 6 5 4 3 2 1

PART NO. 660300TP051
 DWG NO. C6603TP



NOTE 1 :

1. Terminal Material: Brass bronze
2. Plated: Ni 25u"min Tin-plated 50u"min.
3. Applicable wires: #24~#16
4. Q'ty / reel: 4,000 pcs

				UNLESS OTHERWISE SPECIFIED TOLERANCES		EXCON EXCON TECHNOLOGY COMPANY
				3 PLACE ±0.5 ±0.10		
				2 PLACE ±1.5 ±0.25		PART.NO
				1 PLACE ±2.0 ±0.50		
				ANGLE DIM		660300TP051
REV.	REVISIONI		DIS	DATE	DWG NO:	
SCALE	REV.	PAGE:	UNIT	mm	PART.NO	
NONE	B	1	THIRD ANGLE PROJECTION		C6603TP	

10 9 8 7 6 5 4 3 2 1