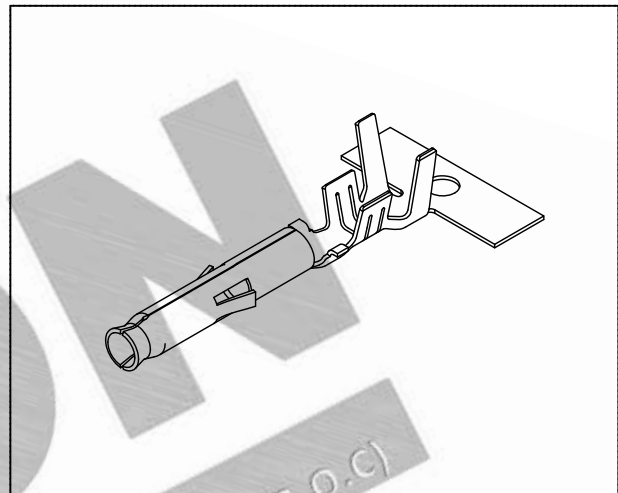
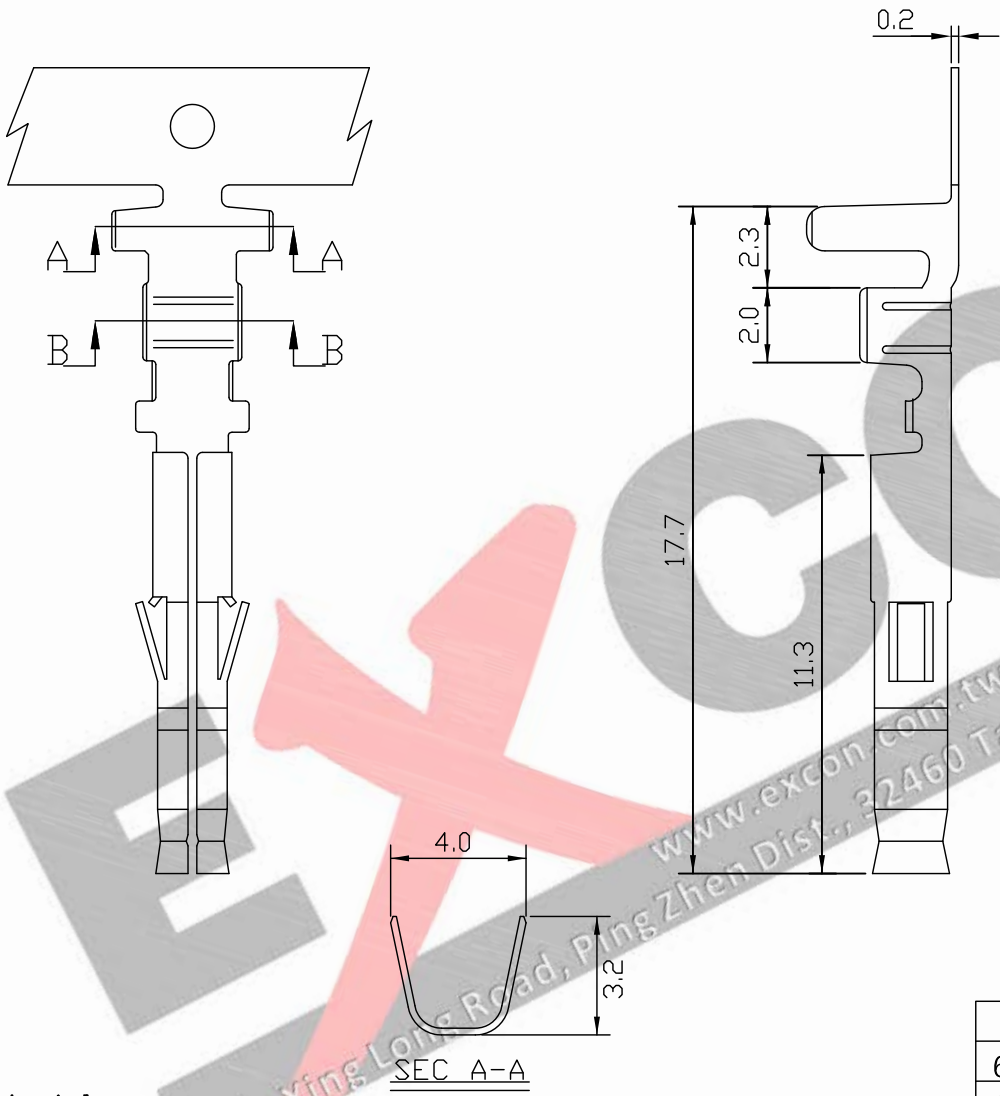


10 9 8 7 6 5 4 3 2 1

PART NO. 660300TMxxx  
 DWG NO. C6603TM



**NOTE:**

1. Terminal Material:  
Brass bronze or Phosphor
2. Plated: Tin pre-plated 50u"min.
3. Applicable wires: AWG#26-#20
4. Insulation O.D.: 2.7mm (max)
5. Q'ty / reel:7,000 pcs

| Part No.    | Wire Range | Insulation O.D. | Material |
|-------------|------------|-----------------|----------|
| 660300TM051 | AWG#26~#20 | 1.3-2.7mm       | Brass    |
| 660300TM351 | AWG#26~#20 | 1.3-2.7mm       | Phosphor |

|       |           |       |                        |                                       |      |   |
|-------|-----------|-------|------------------------|---------------------------------------|------|---|
|       |           |       |                        | UNLESS OTHERWISE SPECIFIED TOLERANCES |      | <b>EXCON</b><br><b>EXCON TECHNOLOGY COMPANY</b> |
|       |           |       |                        | 3 PLACE ±0.5 ±0.10                    |      |   |
|       |           |       |                        | 2 PLACE ±1.5 ±0.25                    |      |   |
|       |           |       |                        | 1 PLACE ±2.0 ±0.50                    |      |   |
|       |           |       |                        | ANGLE DIM                             |      |   |
| REV.  | REVISIONI |       |                        | DIS                                   | DATE |   |
| SCALE | REV.      | PAGE: | UNIT                   | mm                                    |      | DWG NO:   |
| 3/1   | A         | 1     | THIRD ANGLE PROJECTION |                                       |      | C6603TM   |
|       |           |       |                        |                                       |      | PART.NO   |
|       |           |       |                        |                                       |      | 660300TMxxx                                     |

www.excon.com.tw  
 89, Xing Long Road, Ping Zhen Dist., 32460 Taoyuan City, Taiwan (R.O.C)

10 9 8 7 6 5 4 3 2 1