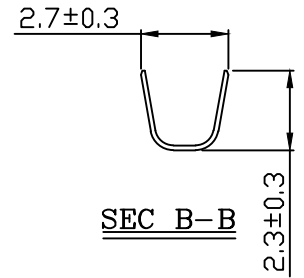
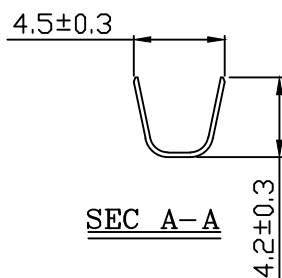
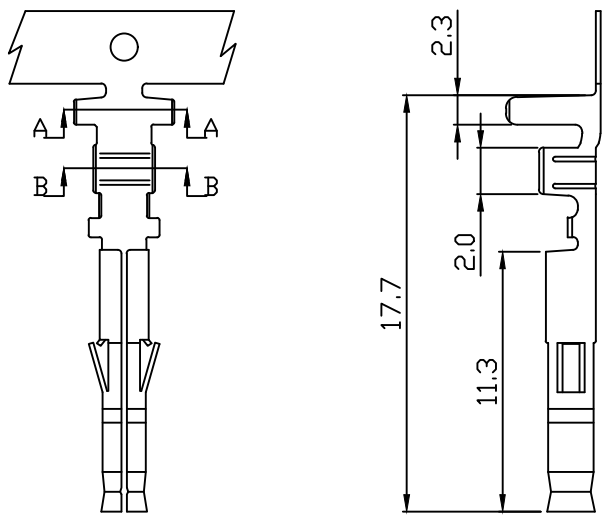
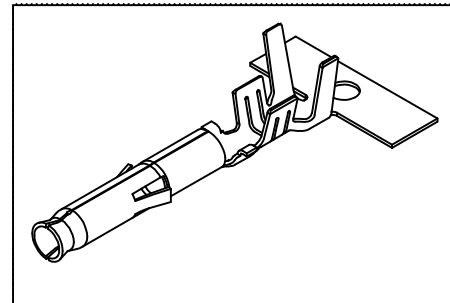


10 9 8 7 6 5 4 3 2 1

PART NO. 660300TB051
 DWG NO. C6603TB



NOTE 1 :

1. Terminal Material: Brass bronze
2. Plated: Ni 25u"min Tin-plated 50u"min.
3. Applicable wires: #24~#16
4. Q'ty / reel: 4,000 pcs

| | | | | | | |
|-------|----------|-------|------------------------|---------------------------------------|--|--|
| | | | | UNLESS OTHERWISE SPECIFIED TOLERANCES | | EXCON EXCON TECHNOLOGY COMPANY |
| | | | | 3 PLACE ±0.5 ±0.10 | | |
| | | | | 2 PLACE ±1.5 ±0.25 | | PART.NO |
| | | | | 1 PLACE ±2.0 ±0.50 | | |
| | | | | ANGLE DIM | | 660300TB051 |
| REV. | REVISION | | DIS | DATE | | |
| SCALE | REV. | PAGE: | UNIT | mm | | DWG NO: |
| NONE | B | 1 | THIRD ANGLE PROJECTION | | | C6603TB |

10 9 8 7 6 5 4 3 2 1