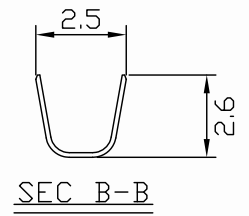
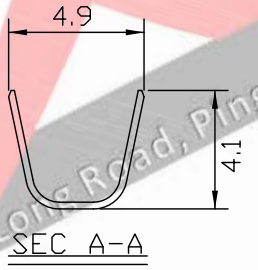
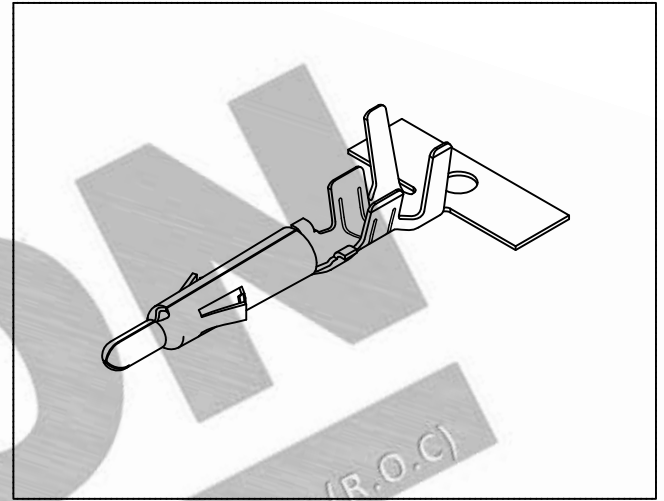
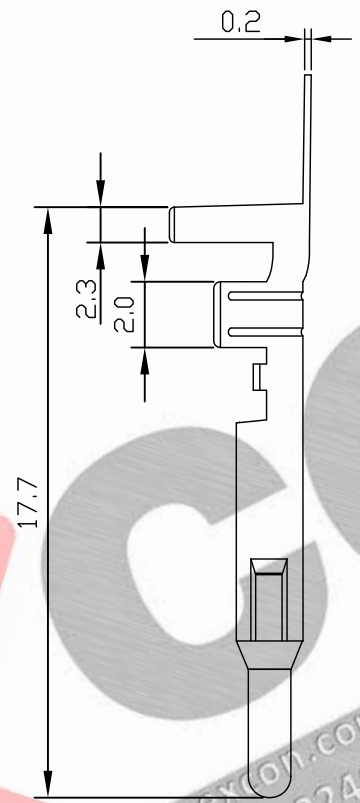
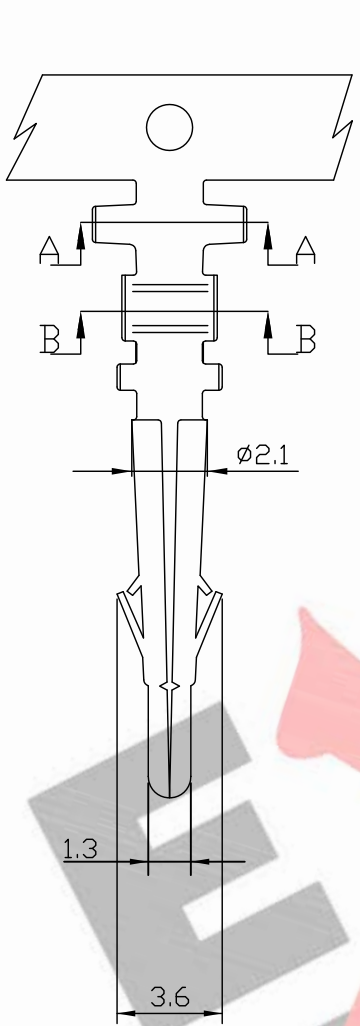


10 9 8 7 6 5 4 3 2 1

PART NO. 660300TAxxx
 DWG NO. C6603TA



NOTE:

1. Terminal Material:
Brass bronze or Phosphor
2. Plated: Tin pre-plated 50u"min.
3. Applicable wires: AWG#20-#16
4. Insulation O.D.: 3.4mm (max)
5. Q'ty / reel:4,000 pcs

Part No.	Wire Range	Insulation O.D.	Material
660300TA051	AWG#20~#16	1.9-3.4mm	Brass
660300TA351	AWG#20~#16	1.9-3.4mm	Phosphor

				UNLESS OTHERWISE SPECIFIED TOLERANCES		
				3 PLACE ±0.5 ±0.10		
				2 PLACE ±1.5 ±0.25		
				1 PLACE ±2.0 ±0.50		EXCON TECHNOLOGY COMPANY
				ANGLE DIM		
REV.	REVISIONI			DIS	DATE	
SCALE	REV.	PAGE:	UNIT	mm		DWG NO:
3/1	A	1	THIRD ANGLE PROJECTION			C6603TA
					PART.NO	
					660300TAxxx	

EXCON

www.excon.com.tw
 89, Xing Long Road, Ping Zhen Dist., 32460 Taoyuan City, Taiwan (R.O.C)

10 9 8 7 6 5 4 3 2 1