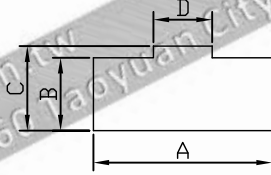
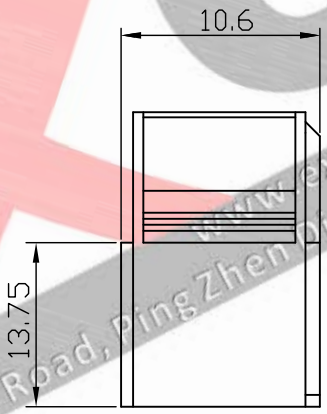
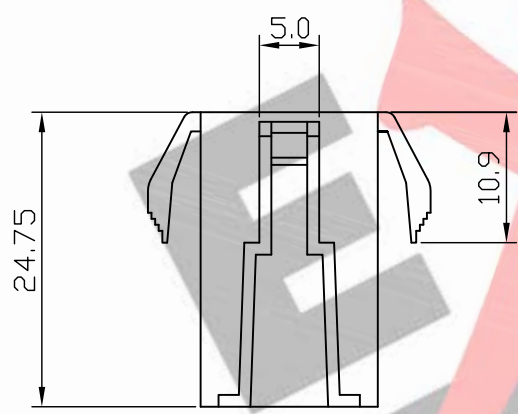
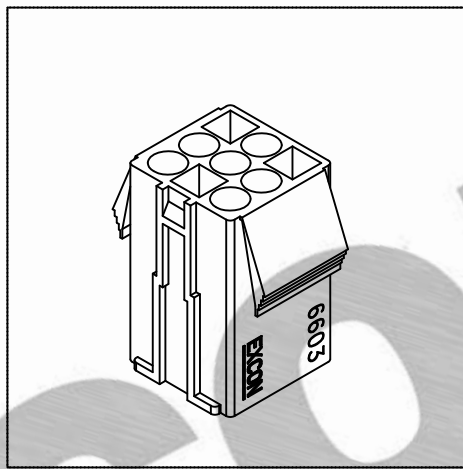
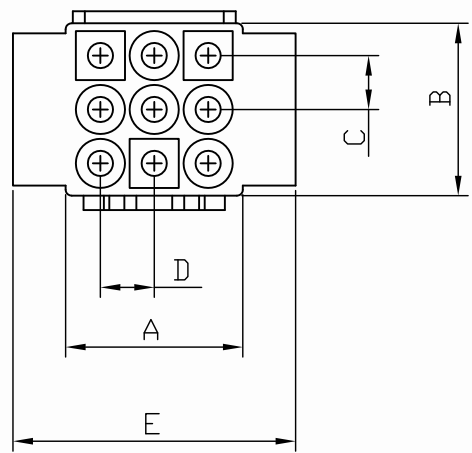
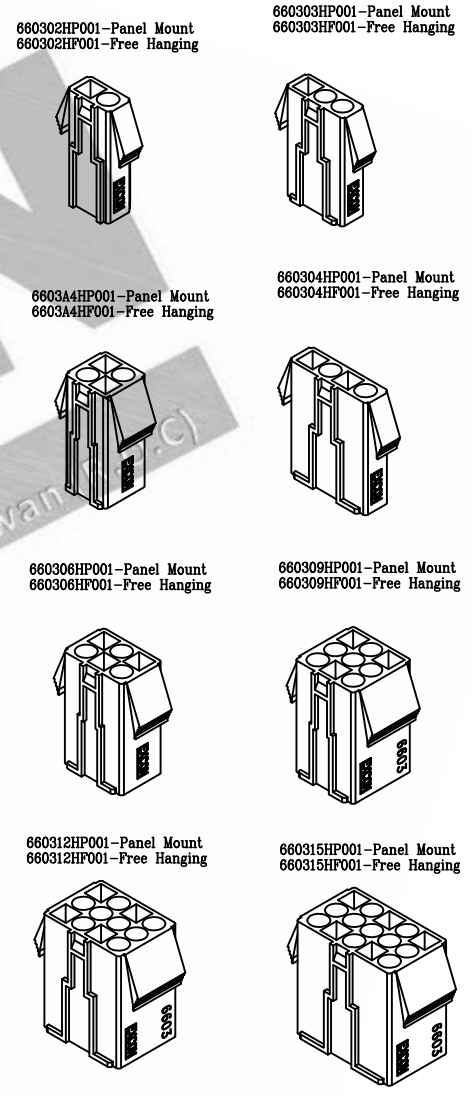


PART NO. 6603xxHP001
DWG NO. C6603HP



LAYOUT
Layout Dimensions:

POS.	A	B	C	D
2	15.0	6.0	6.85	5.2
3	19.7	6.0	6.85	5.2
4	24.2	6.0	6.85	5.2
6	19.7	10.2	11.1	5.2
9	19.7	14.8	15.7	5.2
12	24.2	14.8	15.7	5.2
15	28.7	14.8	15.7	5.2



- NOTE:
1. Housing Material: Nylon 66 UL94V-0
 2. Insulation resistance: 1000M Ω min.
 3. Withstand voltage: 1000V AC/minute.
 4. Current rating: 5A AC/DC.
 5. Voltage rating: 600V AC/DC

32.6	18.0	9.0	14.4	23.8	15	660315HP001	660315HF001
28.1	13.5	9.0	14.4	19.3	12	660312HP001	660312HF001
23.6	9.0	9.0	14.4	14.8	9	660309HP001	660309HF001
23.6	9.0	4.5	10.3	14.8	6	660306HP001	660306HF001
19.1	4.5	4.5	10.3	10.3	A4	6603A4HP001	6603A4HF001
28.1	13.5	0	5.6	19.3	4	660304HP001	660304HF001
23.6	9.0	0	5.6	14.8	3	660303HP001	660303HF001
19.1	4.5	0	5.6	10.3	2	660302HP001	660302HF001
E	D	C	B	A	POS	PART NO.	

REV.	REVISION	DIS	DATE
SCALE	REV.	PAGE	UNIT
2/1	A	1	THIRD ANGLE PROJECTION

UNLESS OTHERWISE SPECIFIED TOLERANCES	 EXCON TECHNOLOGY COMPANY
3 PLACE ±0.5 ±0.10	
2 PLACE ±1.5 ±0.25	
1 PLACE ±2.0 ±0.50	
ANGLE DIM	
DWG NO: C6603HP	PART NO: 6603xxHP001