

10 9 8 7 6 5 4 3 2 1

PART NO. 6603xxHM001  
 DWG NO. C6603HM

F

E

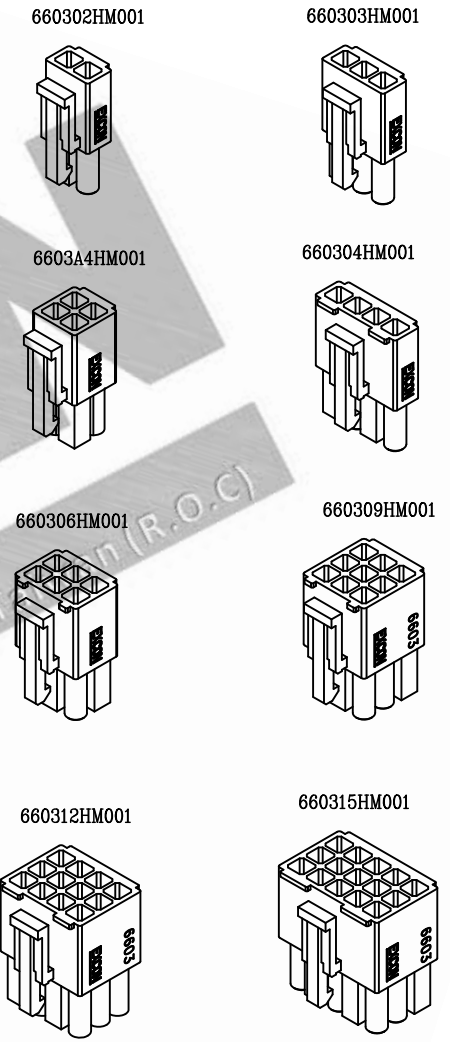
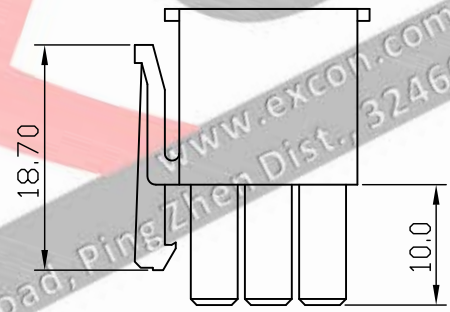
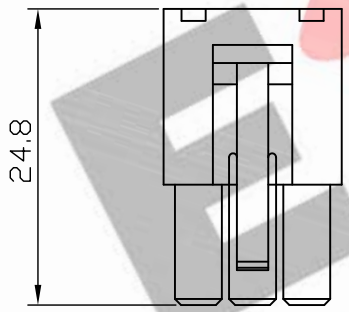
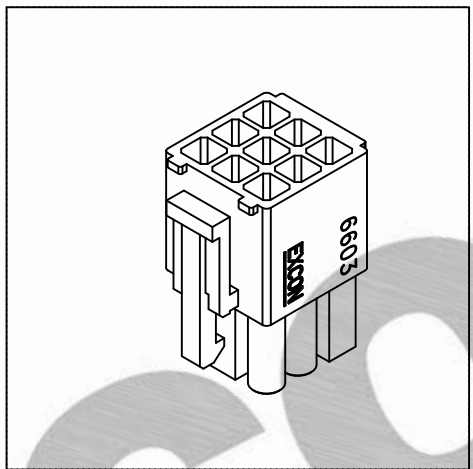
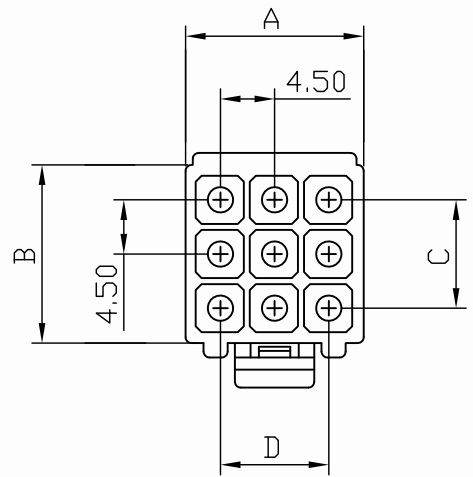
D

C

B

A

10 9 8 7 6 5 4 3 2 1



F  
E  
D  
C  
B  
A

- NOTE:
1. Housing Material: Nylon 66 UL94V-0
  2. Insulation resistance: 1000M  $\Omega$  min.
  3. Withstand voltage: 1000V AC/minute.
  4. Current rating: 5A AC/DC.
  5. Voltage rating: 600V AC/DC

18.0	9.0	14.8	23.8	15	660315HM001
13.5	9.0	14.8	19.3	12	660312HM001
9.0	9.0	14.8	14.8	9	660309HM001
9.0	4.5	10.3	14.8	6	660306HM001
4.5	4.5	10.3	10.3	A4	6603A4HM001
13.5	0	5.8	19.3	4	660304HM001
9.0	0	5.8	14.8	3	660303HM001
4.5	0	5.8	10.3	2	660302HM001
D	C	B	A	POS	PART NO.

REV.	REVISION		DIS	DATE
SCALE	REV.	PAGE:	UNIT	mm
2/1	A	1	THIRD ANGLE PROJECTION	

UNLESS OTHERWISE SPECIFIED TOLERANCES  
 3 PLACE  $\pm 0.5 \pm 0.10$   
 2 PLACE  $\pm 1.5 \pm 0.25$   
 1 PLACE  $\pm 2.0 \pm 0.50$   
 ANGLE DIM

DWG NO: C6603HM

**EXCON**

EXCON TECHNOLOGY COMPANY

PART.NO 6603xxHM001