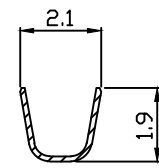
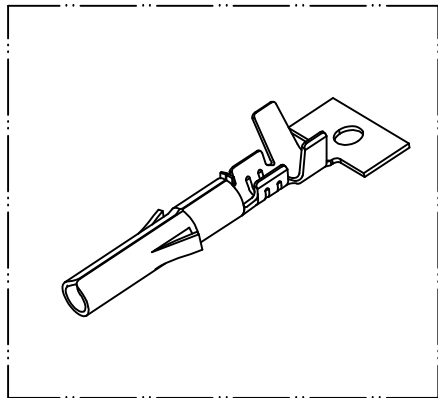
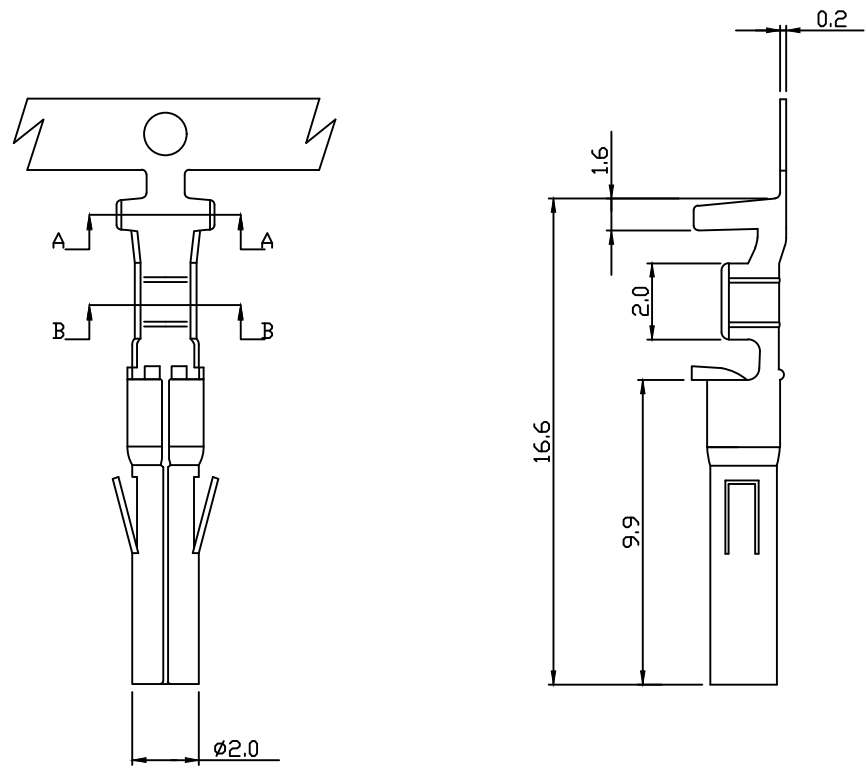
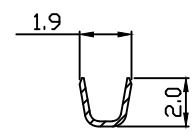


10 9 8 7 6 5 4 3 2 1

PART NO. 660200TM0xx
 DWG NO. C6602TM



SEC A-A



SEC B-B

660200TM051
 660200TM351

NOTE:

1. Terminal Material: Brass ,phosphor bronze
2. Plated: Ni 25u"min Tin-plated 50u"min.
3. Applicable wires: #26~#20
4. Q'ty / reel: 7,000 pcs

						UNLESS OTHERWISE SPECIFIED TOLERANCES		EXCON EXCON TECHNOLOGY COMPANY
						3 PLACE ±0.5 ±0.10		
						2 PLACE ±1.5 ±0.25		
						1 PLACE ±2.0 ±0.50		PART.NO
						ANGLE DIM		
REV.	REVISIONI			DIS	DATE	DWG NO:		660200TM0xx
SCALE	REV.	PAGE:	UNIT	mm				
4/1	A	1	THIRD ANGLE PROJECTION			C6602TM		

10 9 8 7 6 5 4 3 2 1