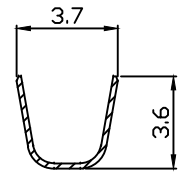
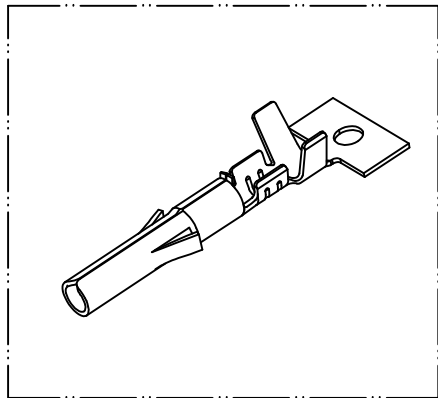
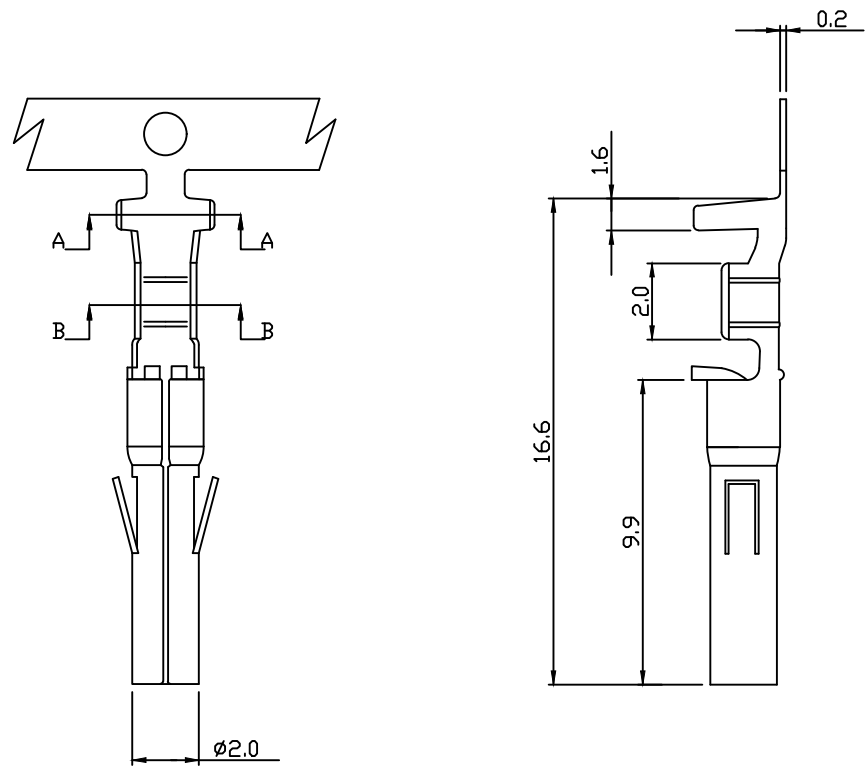
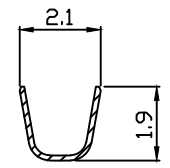


10 9 8 7 6 5 4 3 2 1

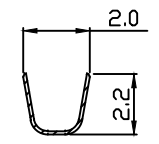
PART NO. 660200TB0xx
 DWG NO. C6602TB



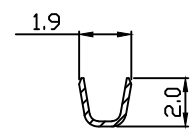
SEC A-A



SEC A-A



SEC B-B





SEC B-B

660200TB051
 660200TB351

660200TM051
 660200TM351

NOTE:

1. Terminal Material: Brass ,phosphor bronze
2. Plated: Ni 25u"min Tin-plated 50u"min.
3. Applicable wires: #26~#20
4. Q'ty / reel: 7,000 pcs

				UNLESS OTHERWISE SPECIFIED TOLERANCES		 EXCON TECHNOLOGY COMPANY
				3 PLACE ±0.5 ±0.10		
				2 PLACE ±1.5 ±0.25		PART.NO
				1 PLACE ±2.0 ±0.50		
				ANGLE DIM		660200TB0xx
REV.	REVISIONI			DIS	DATE	
SCALE	REV.	PAGE:	UNIT	mm		DWG NO:
4/1	A	1	THIRD ANGLE PROJECTION			C6602TB

10 9 8 7 6 5 4 3 2 1