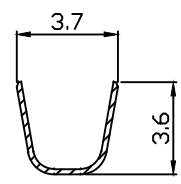
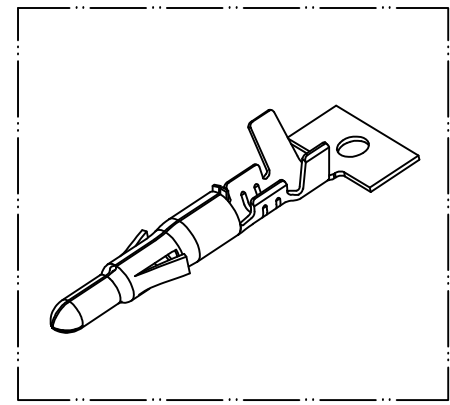
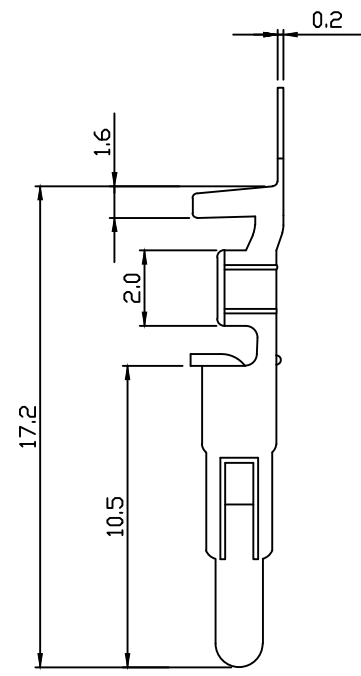
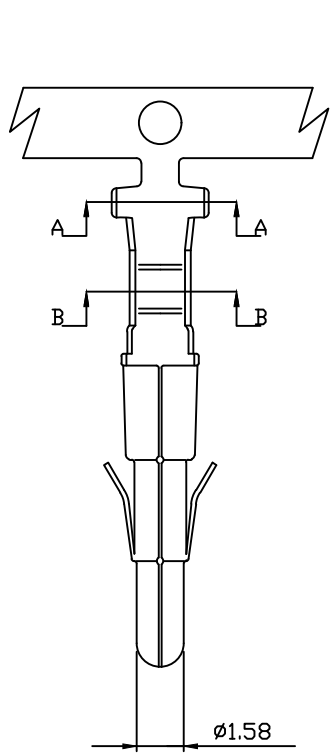
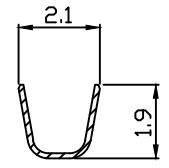


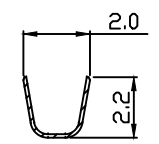
PART NO. 660200TA0xx
 DWG NO. C6602TA



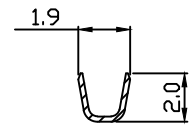
SEC A-A



SEC A-A



SEC B-B



SEC B-B

660200TA051
 660200TA351

660200TP051
 660200TP351

NOTE 1 :

1. Terminal Material: Brass ,phospor bronze
2. Plated: Ni 25u"min Tin-plated 50u"min.
3. Applicable wires: #26~#20
4. Q'ty / reel: 7,000 pcs

				UNLESS OTHERWISE SPECIFIED TOLERANCES		 EXCON TECHNOLOGY COMPANY
				3 PLACE ±0.5 ±0.10		
				2 PLACE ±1.5 ±0.25		PART.NO
				1 PLACE ±2.0 ±0.50		
				ANGLE DIM		660200TA0xx
REV.	REVISIONI		DIS	DATE	DWG NO: C6602TA	
SCALE	REV.	PAGE:	UNIT	mm	PART.NO	
4/1	A	1	THIRD ANGLE PROJECTION		660200TA0xx	