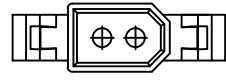
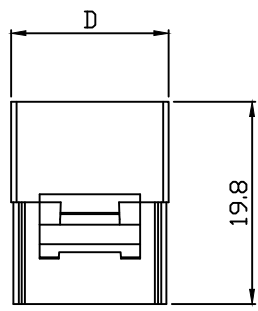
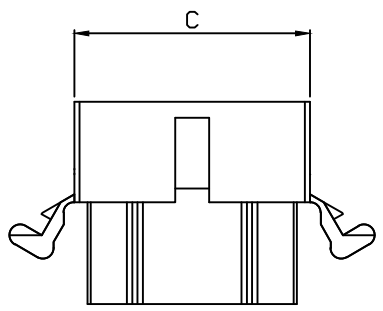
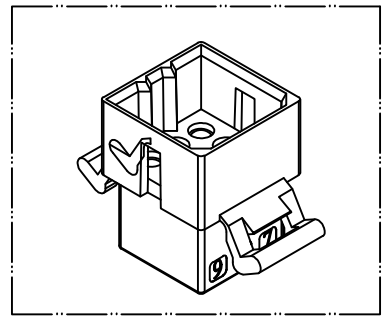
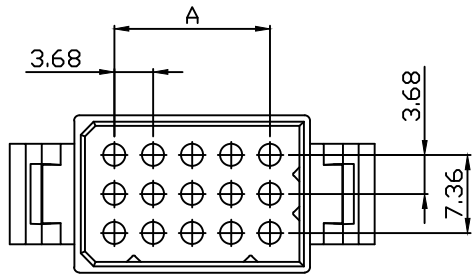
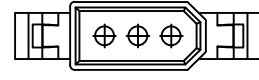


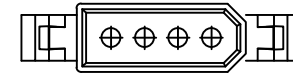
PART NO. 6602xxHS051  
 DWG NO. C6602HS



Part No.: 660202HS051



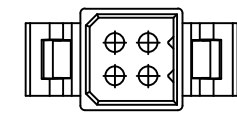
Part No.: 660203HS051



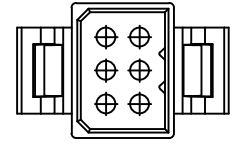
Part No.: 660204HS051



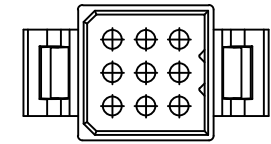
Part No.: 660205HS051



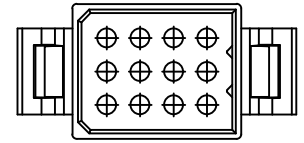
Part No.: 6602A4HS051



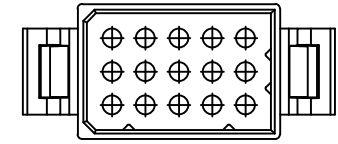
Part No.: 660206HS051



Part No.: 660209HS051



Part No.: 660212HS051



Part No.: 660215HS051

Dimensional & Ordering Information:

Part No.	Circuits	Dim A	Dim B	Dim C	Dim D
660201HS051	1	--	--	--	--
660202HS051	2	3.68	--	11.26	7.5
660203HS051	3	7.36	--	14.94	7.5
660204HS051	4	11.04	--	18.62	7.5
660205HS051	5	14.72	--	22.30	7.5
6602A4HS051	4	3.68	3.68	11.26	11.26
660206HS051	6	3.68	7.36	11.26	14.94
660209HS051	9	7.36	7.36	14.94	14.94
660212HS051	12	11.04	7.36	18.62	14.94
660215HS051	15	14.72	7.36	22.30	14.94

NOTE:

- Housing Material: Nylon 66 UL94V-2
- Color: Natural
- Insulation resistance: 1000M<sub>Ω</sub> min.
- Withstand voltage: 1500V AC/minute.
- Current rating: 5A AC/DC.
- Voltage rating: 6000V AC/DC

				UNLESS OTHERWISE SPECIFIED TOLERANCES			
				3 PLACE ±0.5 ±0.10			
				2 PLACE ±1.5 ±0.25		PART NO.	
				1 PLACE ±2.0 ±0.50		6602xxHS051	
				ANGLE DIM			
REV.	REVISION	DIS	DATE	DWG NO:		PART NO	
SCALE	REV.	PAGE:	UNIT	C6602HS		6602xxHS051	
				THIRD ANGLE PROJECTION			