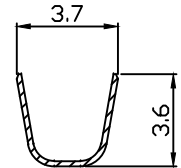
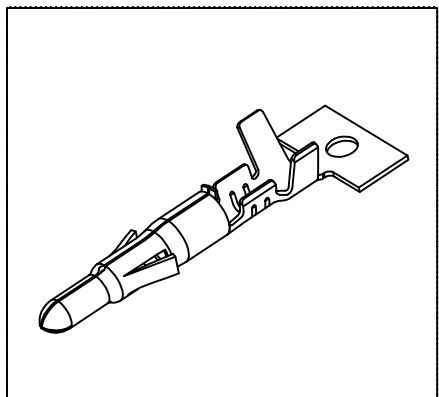
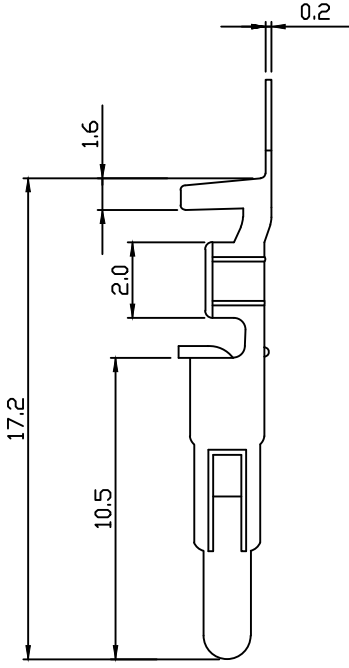
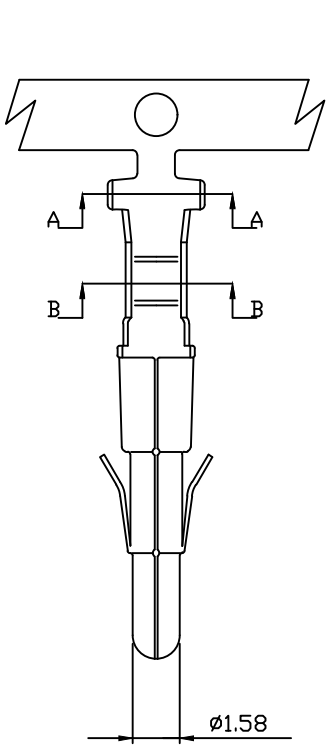
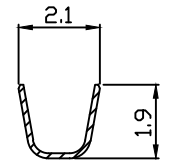


10 9 8 7 6 5 4 3 2 1

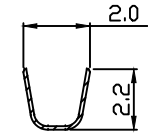
PART NO. 660100TA0xx
 DWG NO. C6601TA



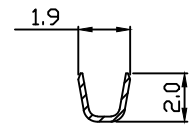
SEC A-A



SEC A-A



SEC B-B



SEC B-B

660100TA051
 660100TA351

660100TP051
 660100TP351

NOTE 1 :

1. Terminal Material: Brass ,phospor bronze
2. Plated: Ni 25u"min Tin-plated 50u"min.
3. Applicable wires: #26~#20
4. Q'ty / reel: 7,000 pcs

UNLESS OTHERWISE SPECIFIED TOLERANCES
 3 PLACE ±0.5 ±0.10
 2 PLACE ±1.5 ±0.35
 1 PLACE ±2.0 ±0.50
 ANGLE DIM



EXCON TECHNOLOGY COMPANY

REV.	REVISIONI			DIS	DATE	DWG NO: C6601TA	PART.NO 660100TA0xx
SCALE	REV.	PAGE:	UNIT	m m			
4/1	A	1	THIRD ANGLE PROJECTION				

10 9 8 7 6 5 4 3 2 1