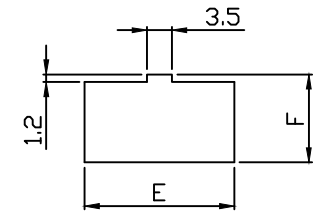
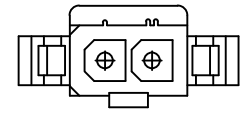
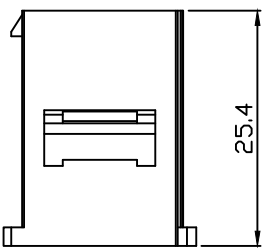
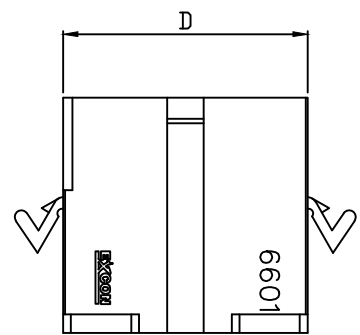
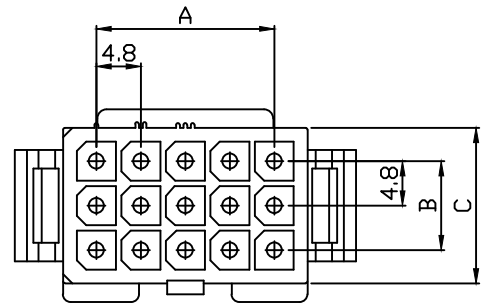
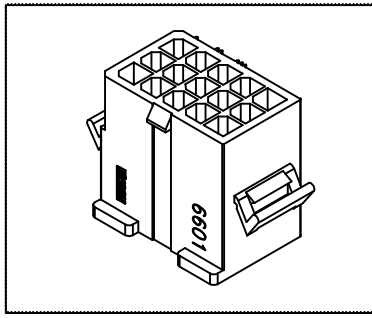


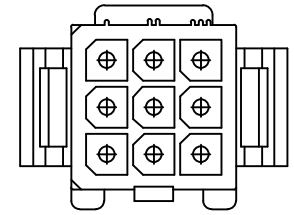
PART NO. 6601xxHP051
 DWG NO. C6601HP



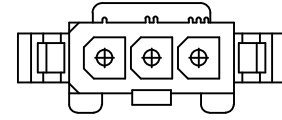
LAYOUT



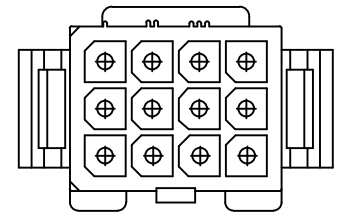
Part No.: 660102HP051



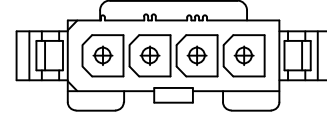
Part No.: 660109HP051



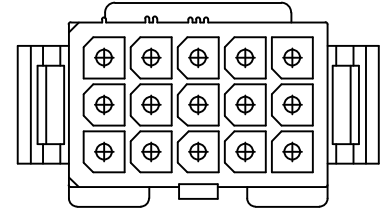
Part No.: 660103HP051



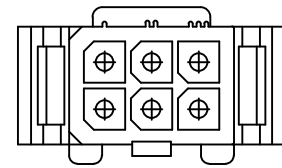
Part No.: 660112HP051



Part No.: 660104HP051



Part No.: 660112HP051



Part No.: 660106HP051

Dimensional & Ordering Information:

Part No.	Circuits	Dim A	Dim B	Dim C	Dim D	Dim E	Dim F
660102HP001	2	4.8	--	7.2	12.0	15.8	9.0
660103HP001	3	9.6	--	7.2	16.8	20.6	9.0
660104HP001	4	14.4	--	7.2	21.6	25.4	9.0
660106HP001	6	9.6	4.8	12.0	16.8	20.6	13.7
660109HP001	9	9.6	9.6	16.8	16.8	20.6	18.5
660112HP001	12	14.4	9.6	16.8	21.6	25.4	18.5
660115HP001	15	19.2	9.6	16.8	26.4	30.2	18.5

NOTE:

- Housing Material: Nylon 66 UL94V-2
- Insulation resistance: 1000MΩ /min.
- Withstand voltage: 1500V AC/minute.
- Current rating: 5A AC/DC.
- Voltage rating: 600V AC/DC

UNLESS OTHERWISE SPECIFIED TOLERANCES
 3 PLACE ±0.5 ±0.10
 2 PLACE ±1.5 ±0.35
 1 PLACE ±2.0 ±0.50
 ANGLE DIM

EXCON
 EXCON TECHNOLOGY COMPANY

REV.	REVISION	DIS	DATE
SCALE	REV.	PAGE:	UNIT
1/1	A	1/1	THIRD ANGLE PROJECTION

DWG NO.: C6601HP

PART NO: 6601xxHP051