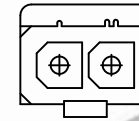
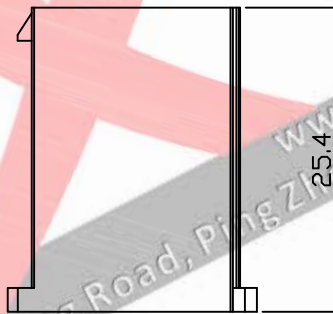
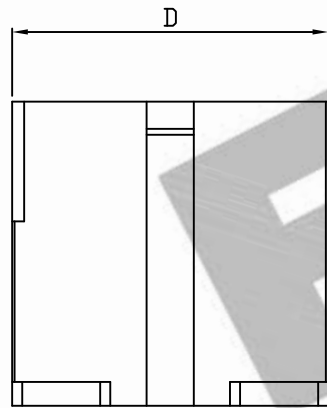
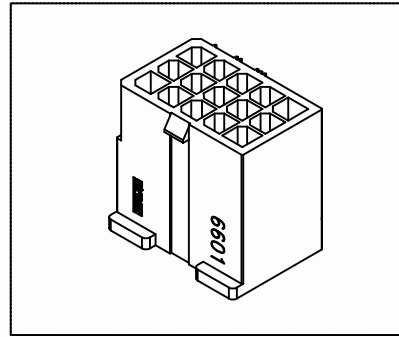
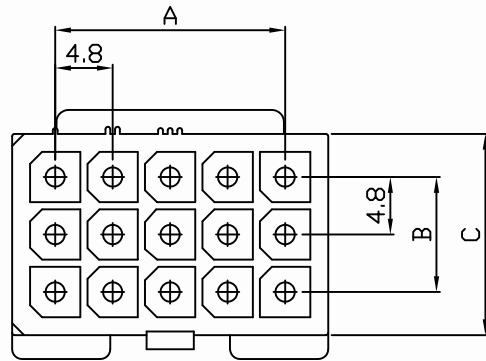
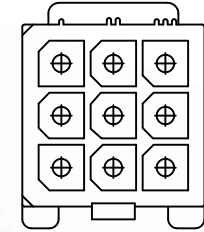


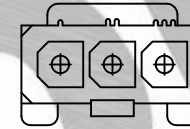
PART NO. 6601xxHF051  
 DWG NO. C6601HF



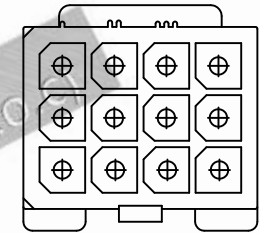
Part No.: 660102HF051



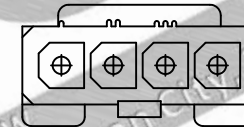
Part No.: 660109HF051



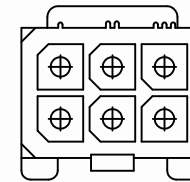
Part No.: 660103HF051



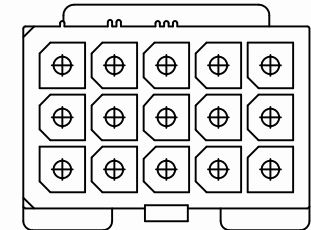
Part No.: 660112HF051



Part No.: 660104HF051



Part No.: 660106HF051



Part No.: 660112HF051

NOTE:

1. Housing Material: Nylon 66 UL94V-2
2. Insulation resistance: 1000MΩ /min.
3. Withstand voltage: 1500V AC/minute.
4. Current rating: 5A AC/DC.
5. Voltage rating: 600V AC/DC

Dimensional & Ordering Information:

Part No.	Circuits	Dim A	Dim B	Dim C	Dim D
660102HF051	2	4.8	---	7.2	12.0
660103HF051	3	9.6	---	7.2	16.8
660104HF051	4	14.4	---	7.2	21.6
660106HF051	6	9.6	4.8	12.0	16.8
660109HF051	9	9.6	9.6	16.8	16.8
660112HF051	12	14.4	9.6	16.8	21.6
660115HF051	15	19.2	9.6	16.8	26.4

REV.	REVISION	DIS	DATE	UNLESS OTHERWISE SPECIFIED TOLERANCES 3 PLACE ±0.5 ±0.10 2 PLACE ±1.5 ±0.35 1 PLACE ±2.0 ±0.50 ANGLE DIM	 <b>EXCON TECHNOLOGY COMPANY</b>
SCALE	REV.	PAGE	UNIT	DWG NO:	
1/1	A	1/1	THIRD ANGLE PROJECTION	C6601HF	PART NO 6601xxHF051