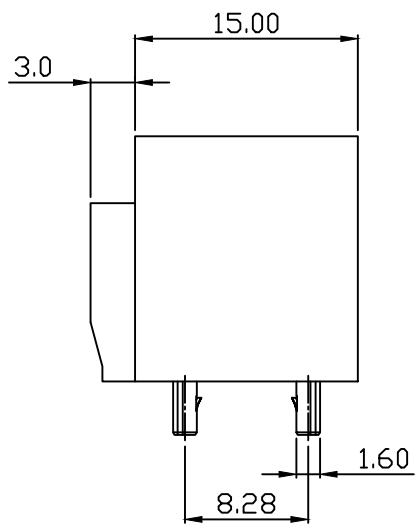
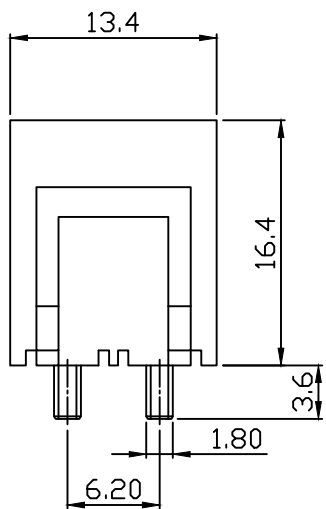
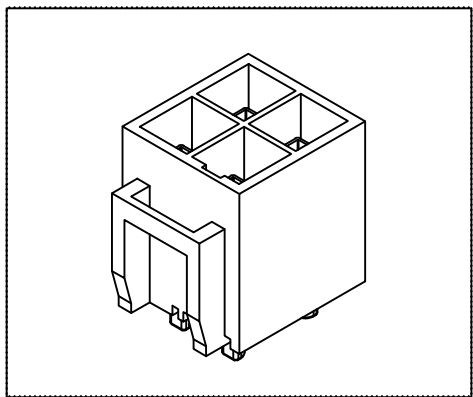
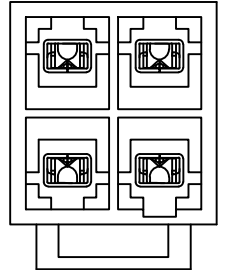


10 9 8 7 6 5 4 3 2 1

PART NO. 6201A4WV001  
 DWG NO. Q6201WV



**NOTE:**

1. Wafer Material: Nylon 66 UL94V0  
Pin/Pos Material: brass bronze.
2. Plated: Tin-plated 50u"min.
3. Insulation resistance: 1000M ohm/min.
4. Withstand voltage: 2000V AC/minute.
5. Current rating: 16A AC/DC.
6. Voltage rating: 600V AC/DC

				UNLESS OTHERWISE SPECIFIED TOLERANCES		<b>EXCON</b> EXCON TECHNOLOGY COMPANY
				3 PLACE ±0.5 ±0.10		
				2 PLACE ±1.5 ±0.25		PART.NO
				1 PLACE ±2.0 ±0.50		
				ANGLE DIM		6201A4WV001
REV.	REVISION		DIS	DATE		
SCALE	REV.	PAGE:	UNIT	mm		DWG NO:
NONE	B	1	TYIRD ANGLE PROJECTION			Q6201WV

10 9 8 7 6 5 4 3 2 1