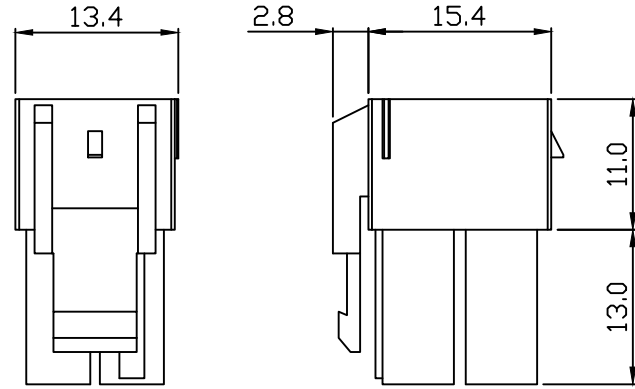
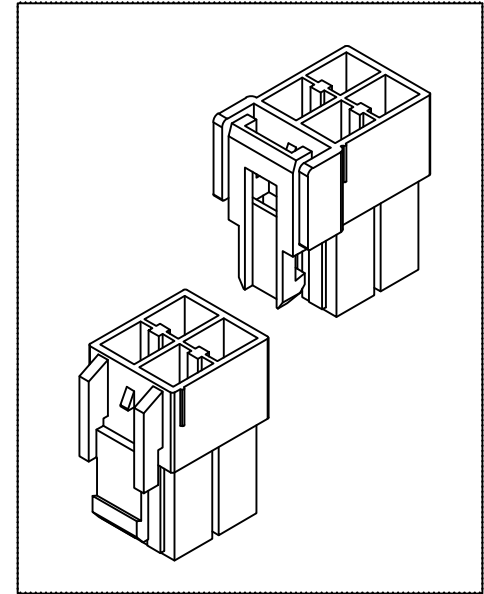
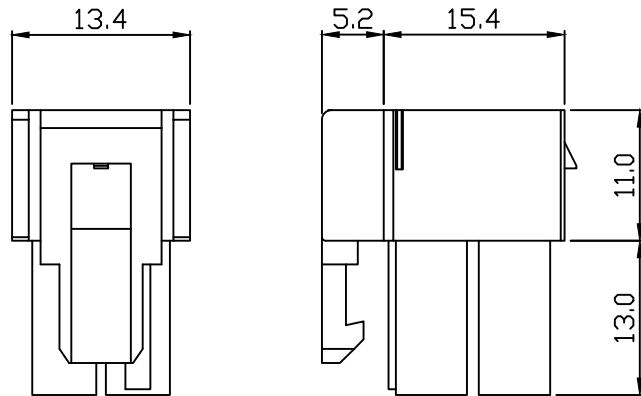


PART NO. 6201A4HM001
 DWG NO. C6201HM

6201A4HM001



6201A4HS001



NOTE:

1. Housing Material:Nylon 66 UL94V0
2. Color: Natural
3. Use Material: NY-V0
4. Withstand voltage: 2000V AC/minute.
5. Current rating: 16A AC/DC.
6. Voltage rating: 600V AC/DC

				UNLESS OTHERWISE SPECIFIED TOLERANCES		EXCON EXCON TECHNOLOGY COMPANY
				3 PLACE ±0.5 ±0.10		
				2 PLACE ±1.5 ±0.25		PART.NO
				1 PLACE ±2.0 ±0.50		
				ANGLE DIM		6201A4HM001
REV.	REVISION		DIS	DATE		
SCALE	REV.	PAGE	UNIT	DWG NO:		
NONE	B	1	mm	Q6201HM		
				TYRD ANGLE PROJECTION		