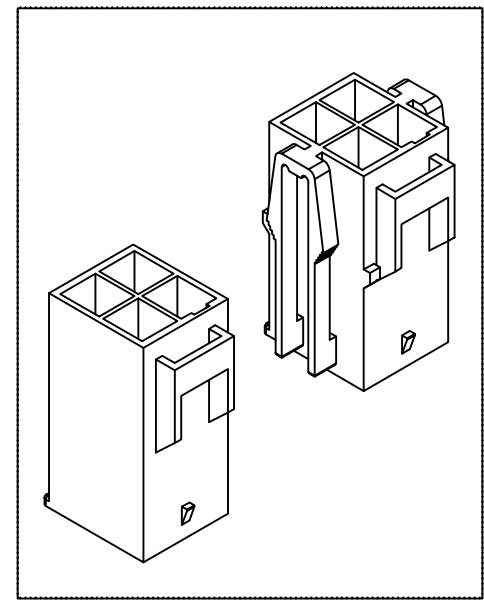
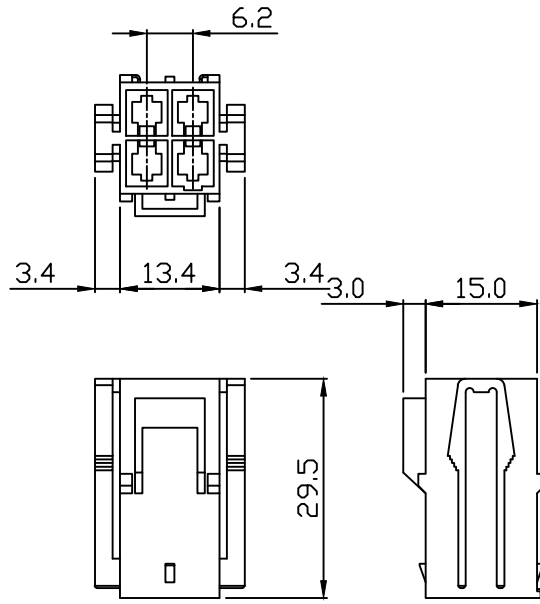
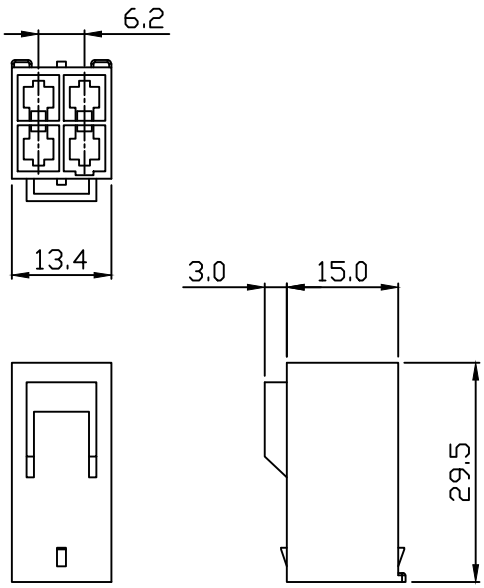


10 9 8 7 6 5 4 3 2 1

PART NO. 6201A4HF001
 DWG NO. C6201HF

6201A4HP001

6201A4HF001



NOTE:

1. Housing Material:Nylon 66 UL94V0
2. Color: Natural
3. Use Material: NY-V0
4. Withstand voltage: 2000V AC/minute.
5. Current rating: 16A AC/DC.
6. Voltage rating: 600V AC/DC

				UNLESS OTHERWISE SPECIFIED TOLERANCES		 EXCON TECHNOLOGY COMPANY
				3 PLACE ±0.5 ±0.10		
				2 PLACE ±1.5 ±0.25		
				1 PLACE ±2.0 ±0.50		
				ANGLE DIM		
REV.	REVISION			DIS	DATE	
SCALE	REV.	PAGE:	UNIT	mm		DWG NO:
NONE	B	1	TYIRD ANGLE PROJECTION			Q6201HF
					PART.NO	
					6201A4HF001	

10 9 8 7 6 5 4 3 2 1