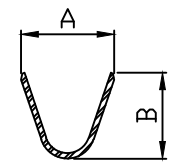
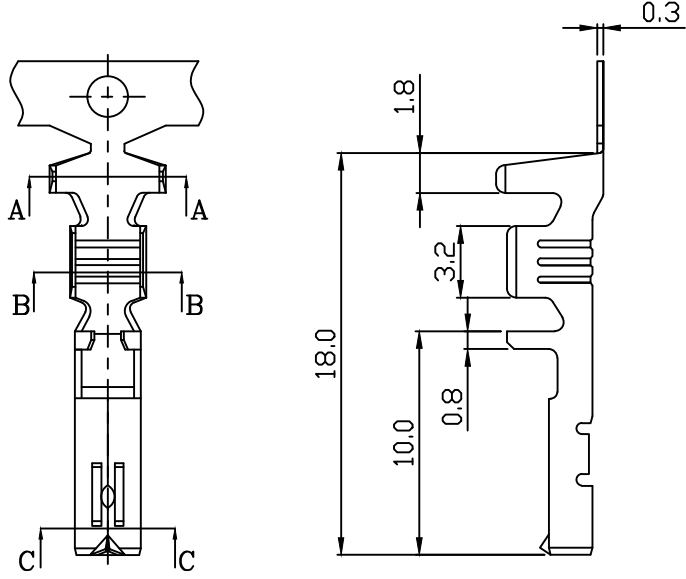
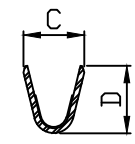


10 9 8 7 6 5 4 3 2 1

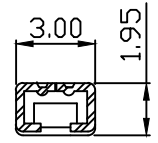
PART NO. 660900TBxxx
 DWG NO. C6609TB



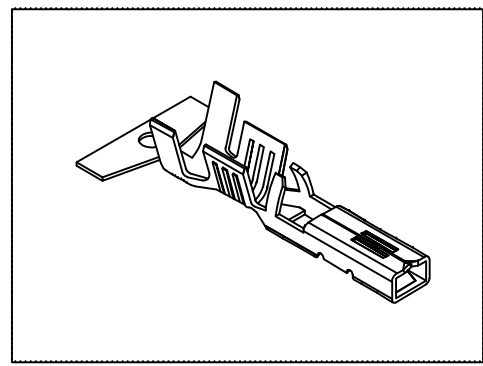
SEC A-A



SEC B-B



SEC C-C



NOTE:

1. Terminal Material: See table
2. Plated: Tin-plated 50u"min.
3. Applicable wires: See table
4. Insulation O.D.:See table
5. Q'ty / reel:4,000 PCS

No.	Part No.	Material	Finish	DIM (mm)				Wire Range	Insulation O.D.
				A	B	C	D		
1	660900TB051	Brass	Tin pre-plated	5.2	4.8	3.4	3.8	AWG#18~#14	2.5-3.8mm
2	660900TM051			4.2	4.0	2.85	2.8	AWG#24~#20	1.8-2.5mm
3	660900TB351	phosphor	Tin pre-plated	5.2	4.8	3.4	3.8	AWG#18~#14	2.5-3.8mm
4	660900TM351			4.2	4.0	2.85	2.8	AWG#24~#20	1.8-2.5mm

				UNLESS OTHERWISE SPECIFIED TOLERANCES		 EXCON TECHNOLOGY COMPANY	
				3 PLACE ±0.5 ±0.10			
				2 PLACE ±1.5 ±0.35			
				1 PLACE ±2.0 ±0.50			
				ANGLE DIM			
REV.	REVISIONI			DIS	DATE		
SCALE	REV.	PAGE:	UNIT	mm		DWG NO:	PART.NO
8/1	A	1	THIRD ANGLE PROJECTION			C6609TB	660900TBxxx

10 9 8 7 6 5 4 3 2 1