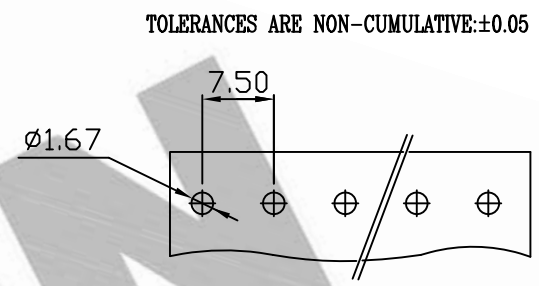
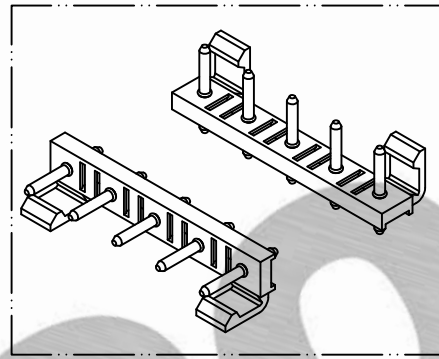
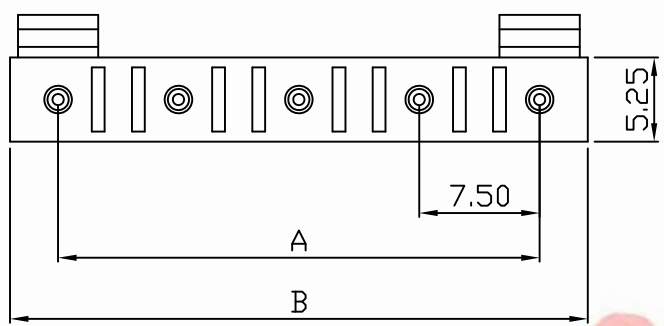
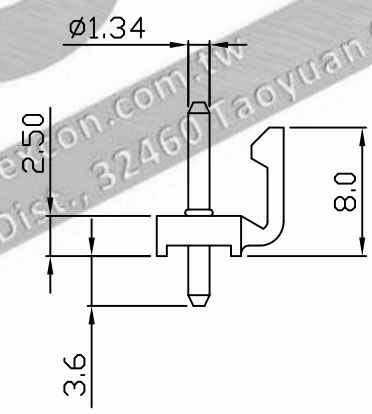
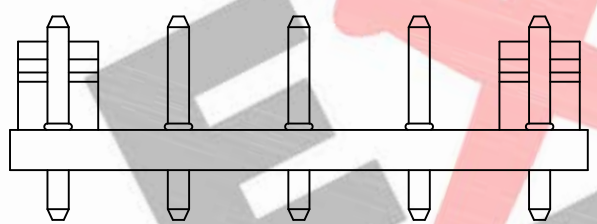


PART NO. 5091xxWV001  
 DWG NO. C5091WV



**RECOMMENDED PCB LAYOUT**  
 (PCB THK=1.0~1.6)



**Dimensional & Ordering Information:**

Part No.	Circuits	Dim A	Dim B
509101WV001	1	--	6.00
509102WV001	2	7.50	13.50
509103WV001	3	15.00	21.00
509104WV001	4	22.50	28.50
509105WV001	5	30.00	36.00
509106WV001	6	37.50	43.50
509107WV001	7	45.00	51.00
509108WV001	8	52.50	58.50
509109WV001	9	60.00	66.00
509110WV001	10	67.50	73.50
509111WV001	11	75.00	81.00
509112WV001	12	82.50	88.50
509113WV001	13	90.00	96.00
509114WV001	14	97.50	103.50
509115WV001	15	105.00	111.00

**NOTE:**

1. Wafer Material: Nylon 66 UL94V-0  
Pin/Pos Material: brass bronze.
2. Plated: Tin-plated 50u" min.
3. Insulation resistance: 1000M ohm/min.
4. Withstand voltage: 1500V AC/minute.
5. Current rating: 9A AC/DC.
6. Voltage rating: 250V AC/DC

				UNLESS OTHERWISE SPECIFIED TOLERANCES		<b>EXCON</b>
				3 PLACE ±0.5 ±0.10		
				2 PLACE ±1.5 ±0.25		<u>EXCON TECHNOLOGY COMPANY</u>
				1 PLACE ±2.0 ±0.50		
				ANGLE DIM		
REV.	REVISIONI			DIS	DATE	
SCALE	REV.	PAGE:	UNIT	mm		DWG NO:
1/1	A	1	THIRD ANGLE PROJECTION			C5091WV
					PART.NO	
					5091xxWV001	