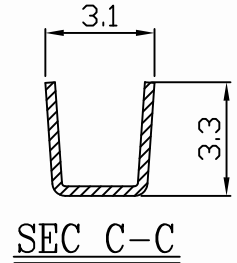
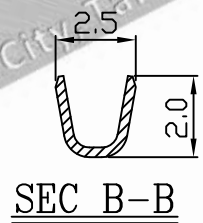
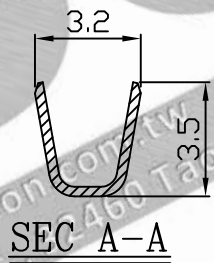
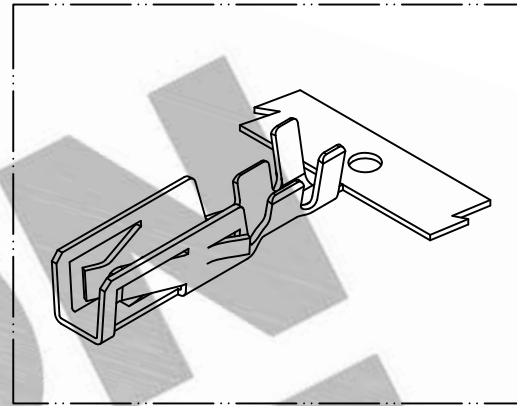
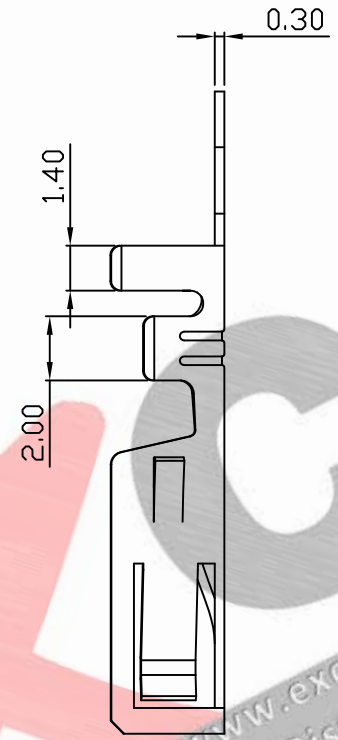
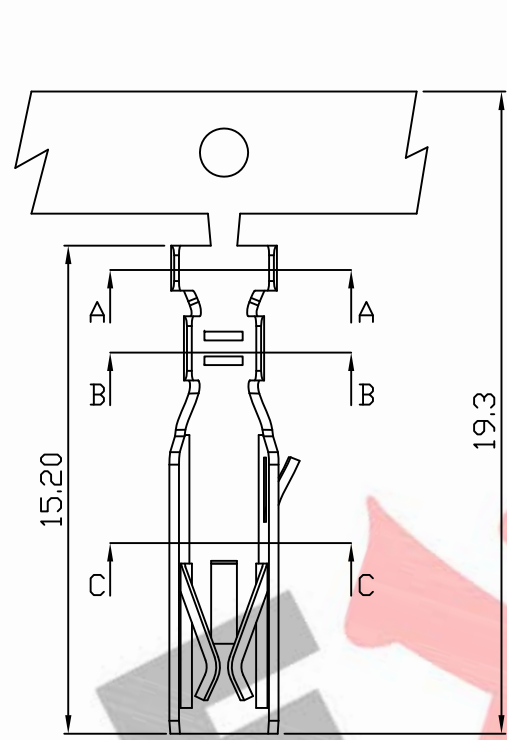


PART NO. 509100TCxxx
 DWG NO. C5091TC



- NOTE:
1. Terminal Material: Phosphor or Brass bronze
 2. Plated: Tin pre-plated 50u" min.
 3. Applicable wires: AWG#18-#24
 4. Insulation O.D.: 1.3-2.8mm
 5. Q'ty / reel: 6,000 pcs

Part No.	Wire Range	Insulation O.D.	Material	Finishing	Q'ty/reel
509100TC051	AWG#26~#18	1.3-2.8mm	Brass	Tin pre-plated	6,000pcs
509100TC351	AWG#26~#18	1.3-2.8mm	Phosphor	Tin pre-plated	6,000pcs

UNLESS OTHERWISE SPECIFIED TOLERANCES
 3 PLACE ±0.5 ±0.10
 2 PLACE ±1.5 ±0.25
 1 PLACE ±2.0 ±0.50
 ANGLE DIM



REV.	REVISION	DIS	DATE	SCALE	REV.	PAGE:	UNIT	mm	DWG NO:	PART.NO
5/1	B	1					THIRD ANGLE PROJECTION		C5091TC	509100TCxxx