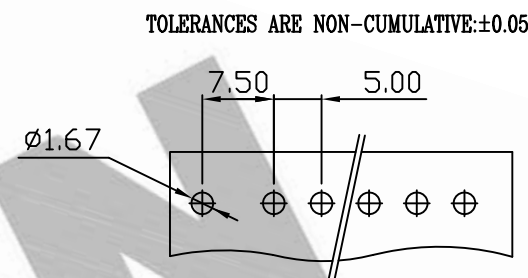
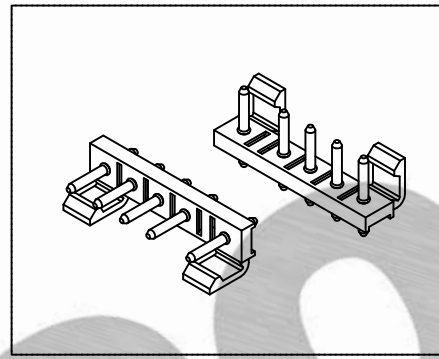
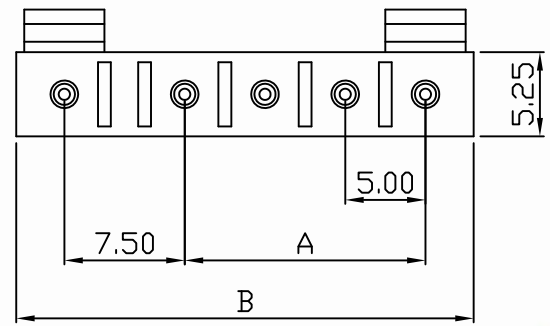
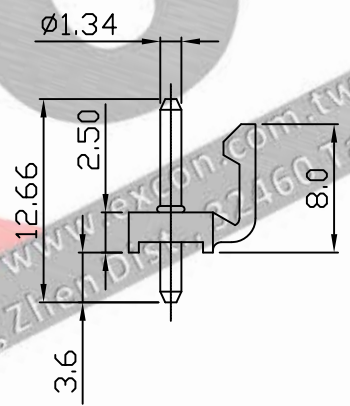
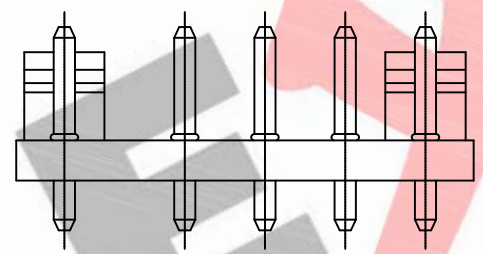


PART NO. 5090xxWV001  
 DWG NO. C5090WV



RECOMMENDED PCB LAYOUT  
 (PCB THK=1.0~1.6)



Dimensional & Ordering Information:

Part No.	Circuits	Dim A	Dim B
509001WV001	1	--	6.00
509002WV001	2	--	13.50
509003WV001	3	5.00	18.50
509004WV001	4	10.00	23.50
509005WV001	5	15.00	28.50
509006WV001	6	20.00	33.50
509007WV001	7	25.00	38.50
509008WV001	8	30.00	43.50
509009WV001	9	35.00	48.50
509010WV001	10	40.00	53.50
509011WV001	11	45.00	58.50
509012WV001	12	50.00	63.50
509013WV001	13	55.00	68.50
509014WV001	14	60.00	73.50
509015WV001	15	65.00	78.50

NOTE:

1. Wafer Material: Nylon 66 UL94V-0  
Pin/Pos Material: brass bronze.
2. Plated: Tin-plated 50u" min.
3. Insulation resistance: 1000M ohm/min.
4. Withstand voltage: 1500V AC/minute.
5. Current rating: 9A AC/DC.
6. Voltage rating: 250V AC/DC
7. Use with 5090TC series Terminal.

				UNLESS OTHERWISE SPECIFIED TOLERANCES		<b>EXCON</b> <u>EXCON TECHNOLOGY COMPANY</u>
				3 PLACE ±0.5 ±0.10		
				2 PLACE ±1.5 ±0.25		
				1 PLACE ±2.0 ±0.50		
				ANGLE DIM		
REV.	REVISION			DIS	DATE	
SCALE	REV.	PAGE:	UNIT	mm		DWG NO:
1/1	A	1	THIRD ANGLE PROJECTION			C5090WV
						PART.NO
						5090xxWV001