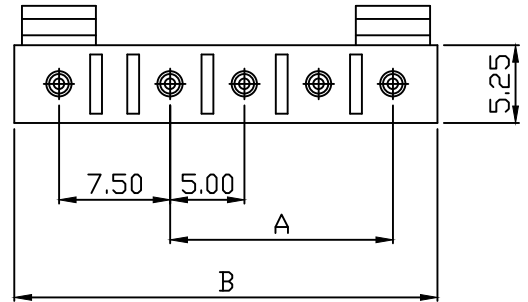
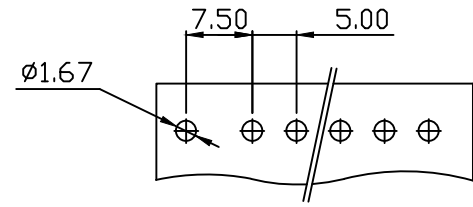


10 9 8 7 6 5 4 3 2 1

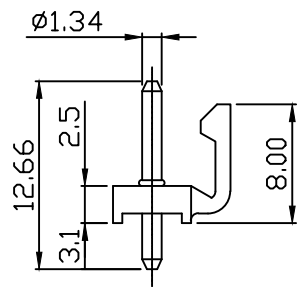
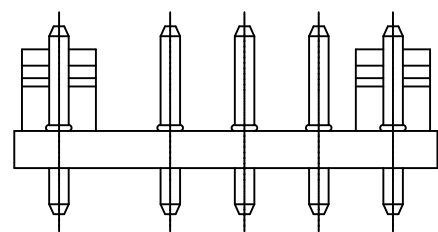
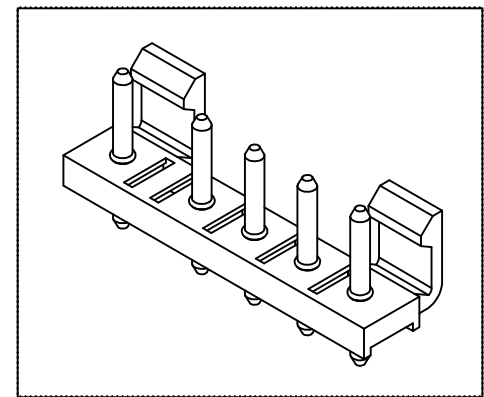
PART NO. 5090xxWV001
 DWG NO. C5090WV



TOLERANCES ARE NON-CUMULATIVE: ±0.05



RECOMMENDED PCB LAYOUT
 (PCB THK=1.0~1.6)



Dimensional & Ordering Information:

| Part No. | Circuits | Dim A | Dim B |
|-------------|----------|-------|-------|
| 509001WV001 | 1 | -- | 6.00 |
| 509002WV001 | 2 | -- | 13.50 |
| 509003WV001 | 3 | 5.00 | 18.50 |
| 509004WV001 | 4 | 10.00 | 23.50 |
| 509005WV001 | 5 | 15.00 | 28.50 |
| 509006WV001 | 6 | 20.00 | 33.50 |
| 509007WV001 | 7 | 25.00 | 38.50 |
| 509008WV001 | 8 | 30.00 | 43.50 |
| 509009WV001 | 9 | 35.00 | 48.50 |
| 509010WV001 | 10 | 40.00 | 53.50 |
| 509011WV001 | 11 | 45.00 | 58.50 |
| 509012WV001 | 12 | 50.00 | 63.50 |
| 509013WV001 | 13 | 55.00 | 68.50 |
| 509014WV001 | 14 | 60.00 | 73.50 |
| 509015WV001 | 15 | 65.00 | 78.50 |

NOTE:

1. Wafer Material: Nylon 66 UL94V-0
Pin/Pos Material: brass bronze.
2. Plated: Tin-plated 50u"min.
3. Insulation resistance: 1000M ohm/min.
4. Withstand voltage: 1500V AC/minute.
5. Current rating: 9A AC/DC.
6. Voltage rating: 250V AC/DC

| | | | | | |
|---------------------------------------|----------|-------|------|-------------|--|
| UNLESS OTHERWISE SPECIFIED TOLERANCES | | | | | |
| 3 PLACE ±0.5 ±0.10 | | | | | |
| 2 PLACE ±1.5 ±0.25 | | | | | |
| 1 PLACE ±2.0 ±0.50 | | | | PART.NO | |
| REV. | REVISION | DIS | DATE | DWG NO: | |
| SCALE | REV. | PAGE: | UNIT | PART.NO | |
| NONE | B | 1 | mm | 5090xxWV001 | |
| THIRD ANGLE PROJECTION | | | | C5090WV | |

10 9 8 7 6 5 4 3 2 1