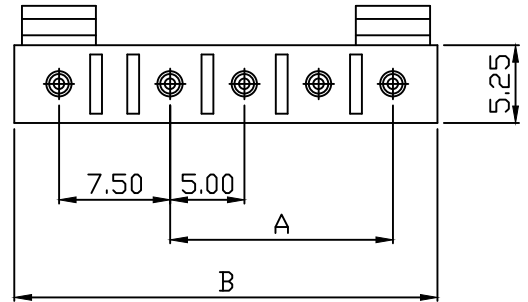
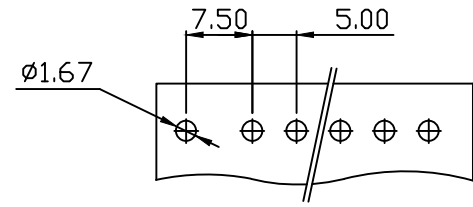


10 9 8 7 6 5 4 3 2 1

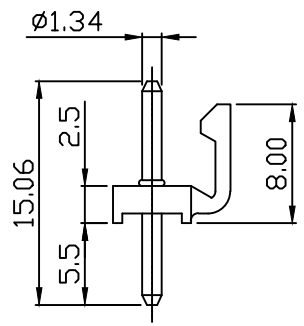
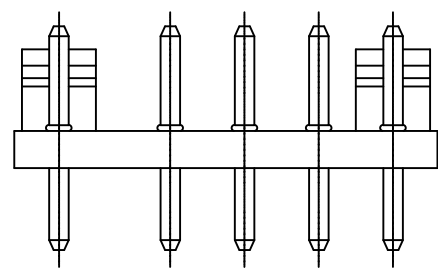
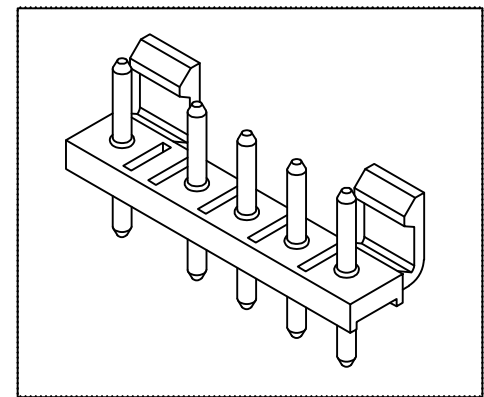
PART NO. 5090xxWT001
 DWG NO. C5090WT



TOLERANCES ARE NON-CUMULATIVE:±0.05



RECOMMENDED PCB LAYOUT
 (PCB THK=1.0~1.6)



Dimensional & Ordering Information:

Part No.	Circuits	Dim A	Dim B
509001WT001	1	--	6.00
509002WT001	2	--	13.50
509003WT001	3	5.00	18.50
509004WT001	4	10.00	23.50
509005WT001	5	15.00	28.50
509006WT001	6	20.00	33.50
509007WT001	7	25.00	38.50
509008WT001	8	30.00	43.50
509009WT001	9	35.00	48.50
509010WT001	10	40.00	53.50
509011WT001	11	45.00	58.50
509012WT001	12	50.00	63.50
509013WT001	13	55.00	68.50
509014WT001	14	60.00	73.50
509015WT001	15	65.00	78.50

NOTE:

1. Wafer Material: Nylon 66 UL94V-0
Pin/Pos Material: brass bronze.
2. Plated: Tin-plated 50u"min.
3. Insulation resistance: 1000M ohm/min.
4. Withstand voltage: 1500V AC/minute.
5. Current rating: 9A AC/DC.
6. Voltage rating: 250V AC/DC

				UNLESS OTHERWISE SPECIFIED TOLERANCES		 EXCON TECHNOLOGY COMPANY
				3 PLACE ±0.5 ±0.10		
				2 PLACE ±1.5 ±0.25		
				1 PLACE ±2.0 ±0.50		
				ANGLE DIM		
REV.	REVISIONI			DIS	DATE	
SCALE	REV.	PAGE:	UNIT	mm		DWG NO:
NONE	B	1	THIRD ANGLE PROJECTION			C5090WT
					PART.NO	
					5090xxWT001	

10 9 8 7 6 5 4 3 2 1