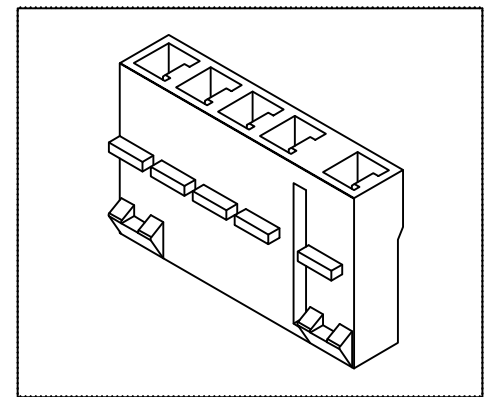
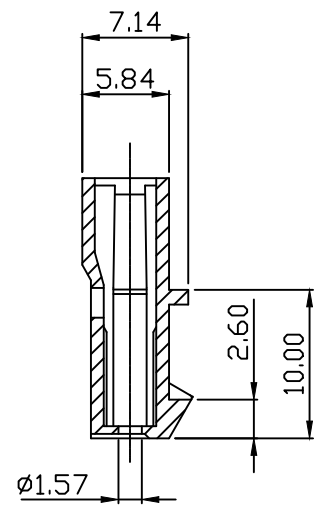
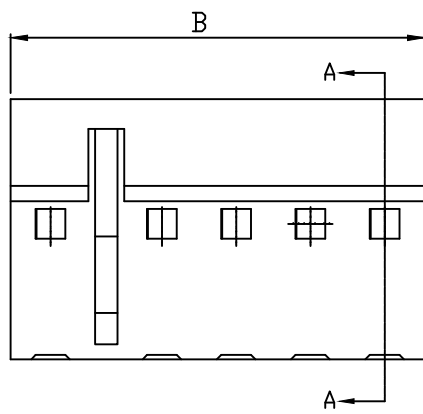
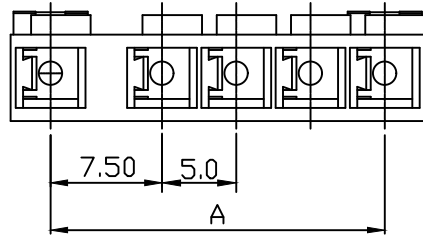


PART NO. 5090xxHA001
 DWG NO. Q5090HA



Dimensional & Ordering Information:

Part No.	Circuits	Dim A	Dim B
509001HA001	1	--	5.38
509002HA001	2	7.50	12.88
509003HA001	3	12.50	17.88
509004HA001	4	17.50	22.88
509005HA001	5	22.50	27.88
509006HA001	6	27.50	32.88
509007HA001	7	32.50	37.88
509008HA001	8	37.50	42.88
509009HA001	9	42.50	47.88
509010HA001	10	47.50	52.88
509011HA001	11	52.50	57.88
509012HA001	12	57.50	62.88
509013HA001	13	62.50	67.88
509014HA001	14	67.50	72.88
509015HA001	15	72.50	77.88

NOTE:

- Housing Material: Nylon 66 UL94V0
- Color: Natural
- Use Material: 101F-V0,CM3004
- Withstand voltage: 1500V AC/minute.
- Current rating: 9A AC/DC.
- Voltage rating: 250V AC/DC

				UNLESS OTHERWISE SPECIFIED TOLERANCES		 EXCON TECHNOLOGY COMPANY
				3 PLACE ±0.5 ±0.10		
				2 PLACE ±1.5 ±0.25		
				1 PLACE ±2.0 ±0.50		PART.NO
				ANGLE DIM		
REV.	REVISIONI			DIS	DATE	DWG NO:
SCALE	REV.	PAGE:	UNIT	mm		
NONE	B	1	THIRD ANGLE PROJECTION			Q5090HA
						5090xxHA001