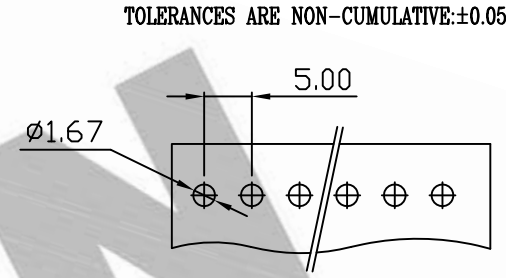
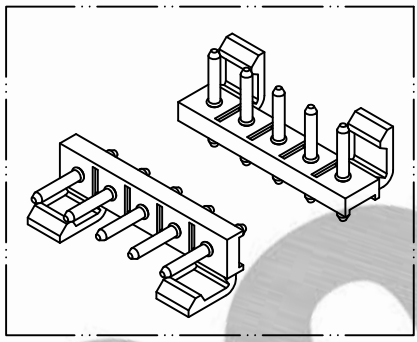
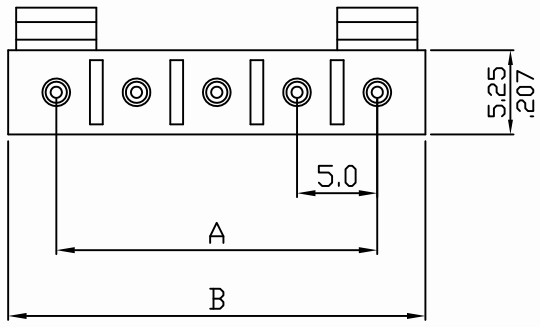
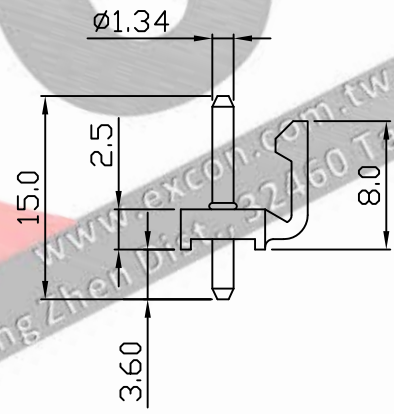
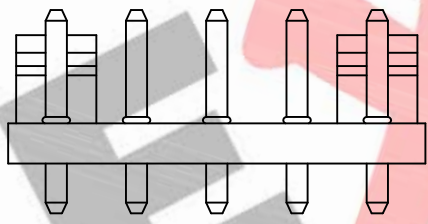


PART NO. 5089xxWV001  
 DWG NO. C5089WV



**RECOMMENDED PCB LAYOUT**  
 (PCB THK=1.0~1.6)



**Dimensional & Ordering Information:**

Part No.	Circuits	Dim A	Dim B
508901WV001	1	--	6.00
508902WV001	2	5.00	11.00
508903WV001	3	10.00	16.00
508904WV001	4	15.00	21.00
508905WV001	5	20.00	26.00
508906WV001	6	25.00	31.00
508907WV001	7	30.00	36.00
508908WV001	8	35.00	41.00
508909WV001	9	40.00	46.00
508910WV001	10	45.00	51.00
508911WV001	11	50.00	56.00
508912WV001	12	55.00	61.00
508913WV001	13	60.00	66.00
508914WV001	14	65.00	71.00
508915WV001	15	70.00	76.00

**NOTE:**

1. Wafer Material: Nylon 66 UL94V-0  
Pin/Pos Material: brass bronze.
2. Plated: Tin-plated 50u" min.
3. Insulation resistance: 1000M ohm/min.
4. Withstand voltage: 1500V AC/minute.
5. Current rating: 9A AC/DC.
6. Voltage rating: 250V AC/DC

				UNLESS OTHERWISE SPECIFIED TOLERANCES	
				3 PLACE ±0.5 ±0.10	
				2 PLACE ±1.5 ±0.25	
				1 PLACE ±2.0 ±0.50	
				ANGLE DIM	
REV.	REVISION		DIS	DATE	
SCALE	REV.	PAGE:	UNIT	MM	
1/1	A	1	THIRD ANGLE PROJECTION	DWG NO: C5089WV	

**EXCON**

**EXCON TECHNOLOGY COMPANY**

---

PART.NO

5089xxWV001