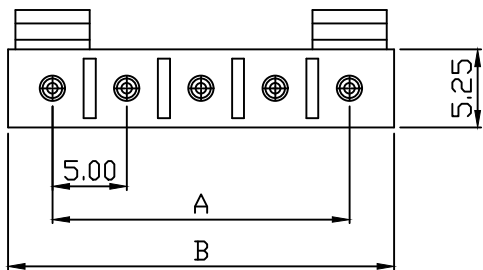
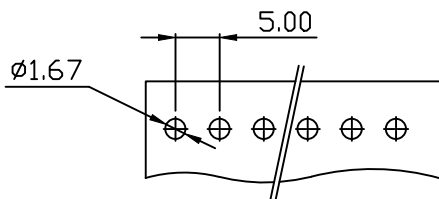


10 9 8 7 6 5 4 3 2 1

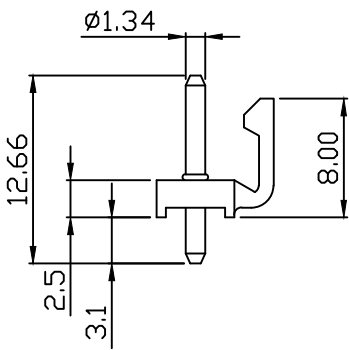
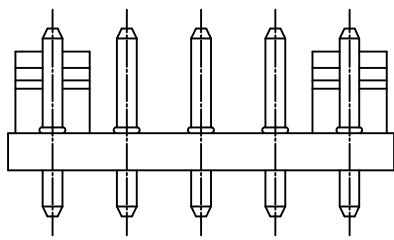
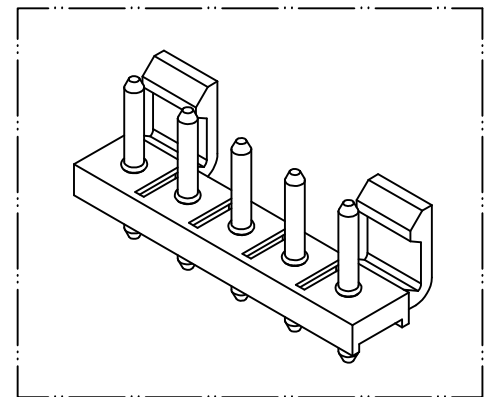
PART NO. 5089xxWV001
 DWG NO. C5089WV



TOLERANCES ARE NON-CUMULATIVE:±0.05



RECOMMENDED PCB LAYOUT
 (PCB THK=1.0~1.6)



Dimensional & Ordering Information:

Part No.	Circuits	Dim A	Dim B
508901WV001	1	--	6.00
508902WV001	2	5.00	11.00
508903WV001	3	10.00	16.00
508904WV001	4	15.00	21.00
508905WV001	5	20.00	26.00
508906WV001	6	25.00	31.00
508907WV001	7	30.00	36.00
508908WV001	8	35.00	41.00
508909WV001	9	40.00	46.00
508910WV001	10	45.00	51.00
508911WV001	11	50.00	56.00
508912WV001	12	55.00	61.00
508913WV001	13	60.00	66.00
508914WV001	14	65.00	71.00
508915WV001	15	70.00	76.00

NOTE:

1. Wafer Material: Nylon 66 UL94V-0
Pin/Pos Material: brass bronze.
2. Plated: Tin-plated 50u"min.
3. Insulation resistance: 1000M ohm/min.
4. Withstand voltage: 1500V AC/minute.
5. Current rating: 9A AC/DC.
6. Voltage rating: 250V AC/DC

UNLESS OTHERWISE SPECIFIED TOLERANCES				 EXCON TECHNOLOGY COMPANY		
3 PLACE ±0.5 ±0.10						
2 PLACE ±1.5 ±0.25						
1 PLACE ±2.0 ±0.50				PART.NO		
ANGLE DIM						
REV.	REVISIONI		DIS	DATE	DWG NO:	PART.NO
SCALE	REV.	PAGE:	UNIT	m m		
NONE	B	1	THIRD ANGLE PROJECTION		C5089WV	5089xxWV001

10 9 8 7 6 5 4 3 2 1