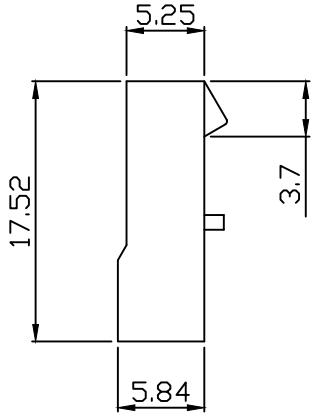
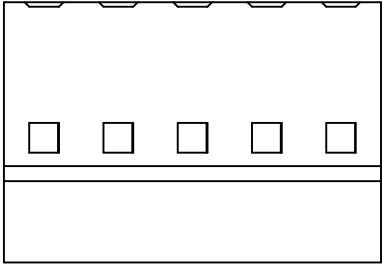
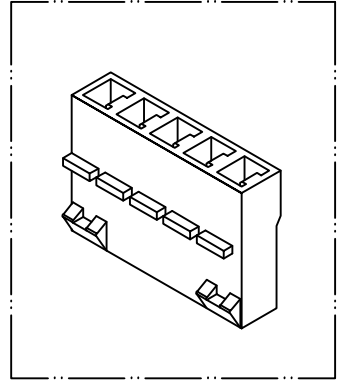
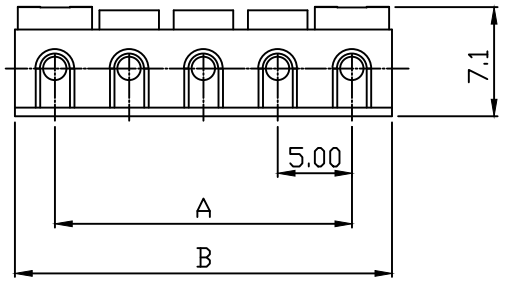


PART NO. 5089xxHA001
 DWG NO. C5089HA



Dimensional & Ordering Information:

Part No.	Circuits	Dim A	Dim B
508901HA001	1	---	5.38
508902HA001	2	5.00	10.38
508903HA001	3	10.00	15.38
508904HA001	4	15.00	20.38
508905HA001	5	20.00	25.38
508906HA001	6	25.00	30.38
508907HA001	7	30.00	35.38
508908HA001	8	35.00	40.38
508909HA001	9	40.00	45.38
508910HA001	10	45.00	50.38
508911HA001	11	50.00	55.38
508912HA001	12	55.00	60.38
508913HA001	13	60.00	65.38
508914HA001	14	65.00	70.38
508915HA001	15	70.00	75.38

- NOTE:
1. Housing Material: Nylon 66 UL94V0
 2. Insulation resistance: 1000M ohm/min.
 3. Withstand voltage: 1500V AC/minute.
 4. Current rating: 9A AC/DC.
 5. Voltage rating: 250V AC/DC

REV.	REVISION	DIS	DATE
SCALE	REV.	PAGE	UNIT
1/1	A	1	mm

UNLESS OTHERWISE SPECIFIED TOLERANCES
 3 PLACE ±0.5 ±0.10
 2 PLACE ±1.5 ±0.25
 1 PLACE ±2.0 ±0.50
 ANGLE DIM



DWG NO:	C5089HA	PART NO:	5089xxHA001
---------	---------	----------	-------------