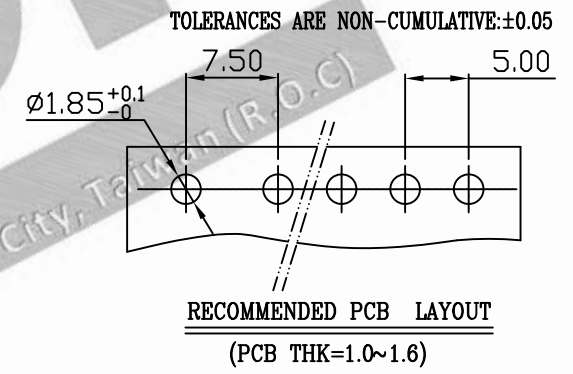
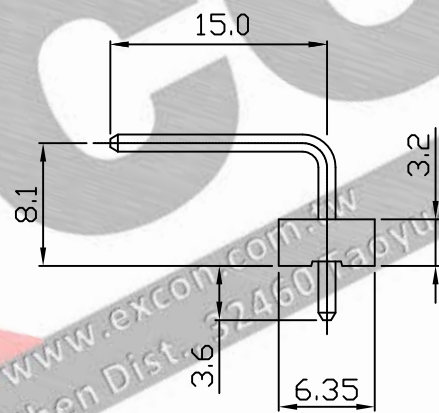
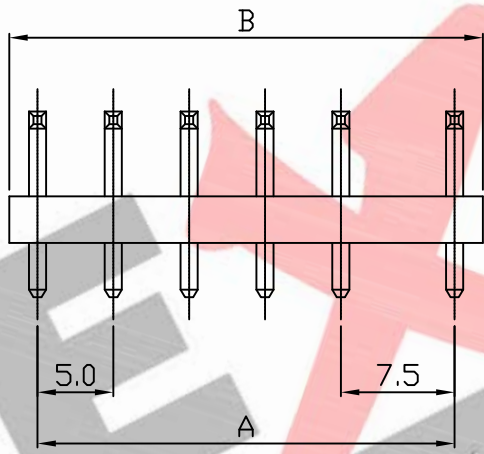
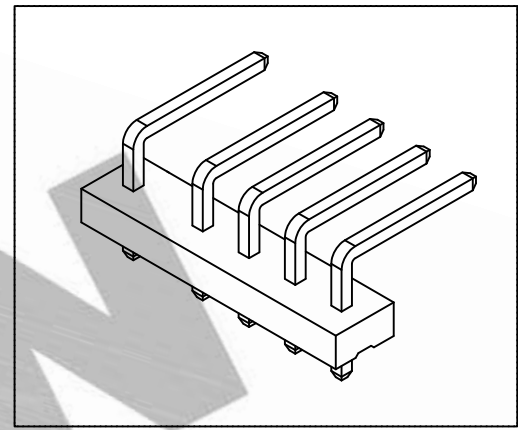
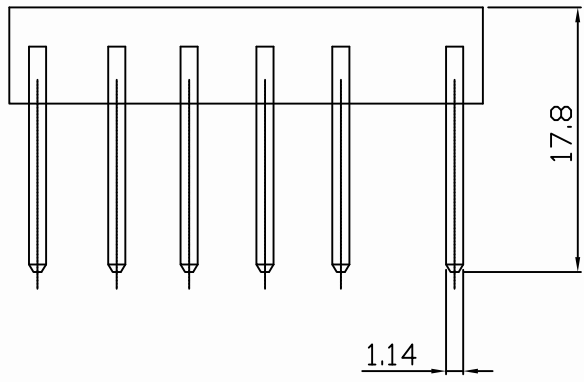


10 9 8 7 6 5 4 3 2 1

PART NO. 5088xxWB051
 DWG NO. C5088WB



Dimensional & Ordering Information:

Part No.	Circuits	Dim A	Dim B
508802WB051	2	7.50	12.50
508803WB051	3	12.50	17.50
508804WB051	4	17.50	22.50
508805WB051	5	22.50	27.50
508806WB051	6	27.50	32.50

NOTE:

1. Wafer Material: Nylon 66 UL94V-2
Pin/Pos Material: brass bronze.
2. Plated: Tin-plated 50u" min.
3. Insulation resistance: 1000M ohm/min.
4. Withstand voltage: 1500V AC/minute.
5. Current rating: 5A AC/DC.
6. Voltage rating: 250V AC/DC

UNLESS OTHERWISE SPECIFIED TOLERANCES			
3 PLACE ±0.5 ±0.10			
2 PLACE ±1.5 ±0.35			
1 PLACE ±2.0 ±0.50			
ANGLE DIM			
REV.	REVISION		DIS DATE
SCALE	REV.	PAGE:	UNIT mm
1/1	A	1/1	THIRD ANGLE PROJECTION

EXCON

EXCON TECHNOLOGY COMPANY

PART.NO

5088xxWB051

F
E
D
C
B
A

F
E
D
C
B
A

10 9 8 7 6 5 4 3 2 1