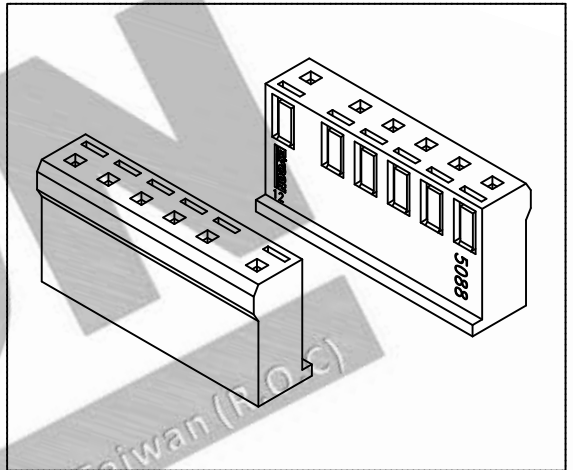
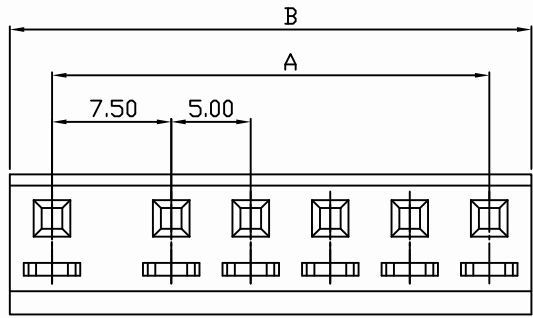
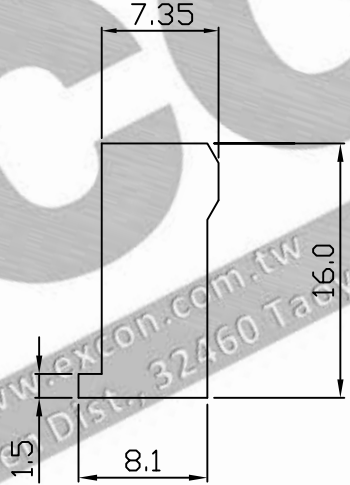
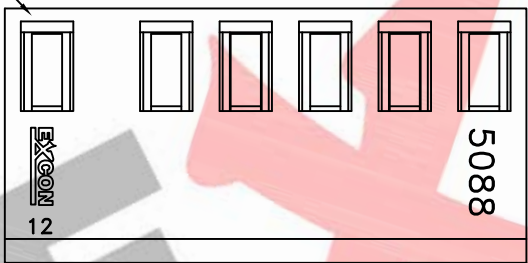


PART NO. 5088xxHA051
 DWG NO. C5088HA



Circuits 1st



Dimensional & Ordering Information:

Part No.	Circuits	Dim A	Dim B
508802HA051	2	7.50	12.50
508803HA051	3	12.50	17.50
508804HA051	4	17.50	22.50
508805HA051	5	22.50	27.50
508806HA051	6	27.50	32.50

NOTE:

1. Housing Material: Nylon 66 UL94V2
2. Insulation resistance: 1000MΩ min.
3. Withstand voltage: 1500V AC/minute.
4. Current rating: 5A AC/DC.
5. Voltage rating: 250V AC/DC
6. Color: Natural

				UNLESS OTHERWISE SPECIFIED TOLERANCES		 EXCON TECHNOLOGY COMPANY
				3 PLACE ±0.5 ±0.10		
				2 PLACE ±1.5 ±0.35		
				1 PLACE ±2.0 ±0.50		
				ANGLE DIM		
REV.	REVISION			DIS	DATE	
SCALE	REV.	PAGE:	UNIT	mm		DWG NO:
3/1	A	1/1	THIRD ANGLE PROJECTION			C5088HA
					PART.NO	
					5088xxHA051	