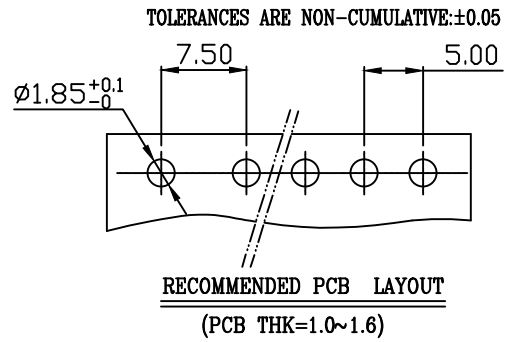
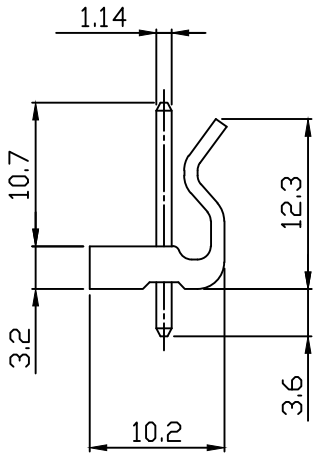
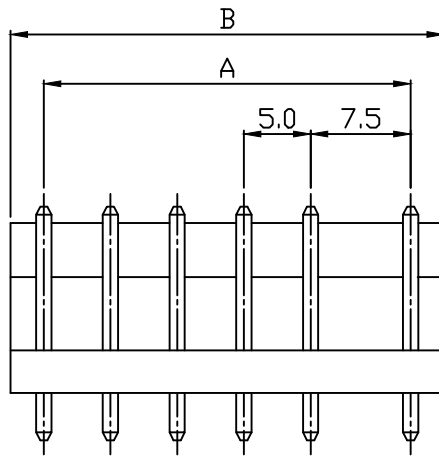
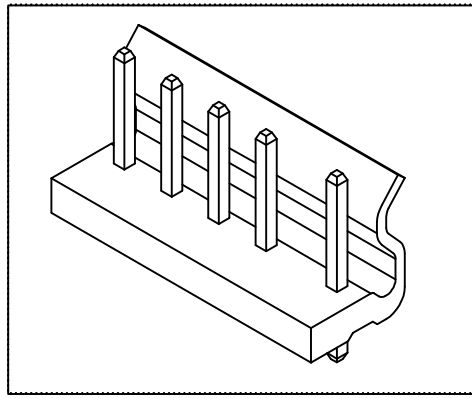
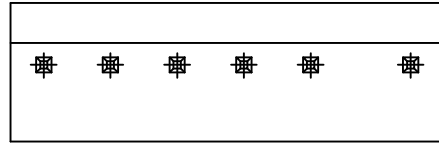


10 9 8 7 6 5 4 3 2 1

PART NO. 5088xxWV051  
 DWG NO. C5088WV



Dimensional & Ordering Information:

Part No.	Circuits	Dim A	Dim B
508802WV051	2	7.50	12.50
508803WV051	3	12.50	17.50
508804WV051	4	17.50	22.50
508805WV051	5	22.50	27.50
508806WV051	6	27.50	32.50

NOTE:

1. Wafer Material: Nylon 66 UL94V-2  
Pin/Pos Material: brass bronze.
2. Plated: Tin-plated 50u"min.
3. Insulation resistance: 1000M ohm/min.
4. Withstand voltage: 1500V AC/minute.
5. Current rating: 5A AC/DC.
6. Voltage rating: 250V AC/DC

REV.	REVISION	DIS	DATE
SCALE	REV.	PAGE:	UNIT
1/1	A	1/1	mm

UNLESS OTHERWISE SPECIFIED TOLERANCES  
 3 PLACE  $\pm 0.5 \pm 0.10$   
 2 PLACE  $\pm 1.5 \pm 0.35$   
 1 PLACE  $\pm 2.0 \pm 0.50$   
 ANGLE DIM



DWG NO:	C5088WV	PART.NO	5088xxWV051
---------	---------	---------	-------------

10 9 8 7 6 5 4 3 2 1