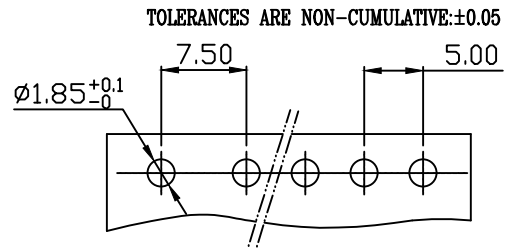
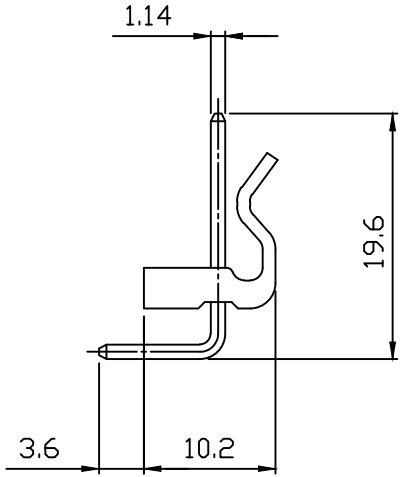
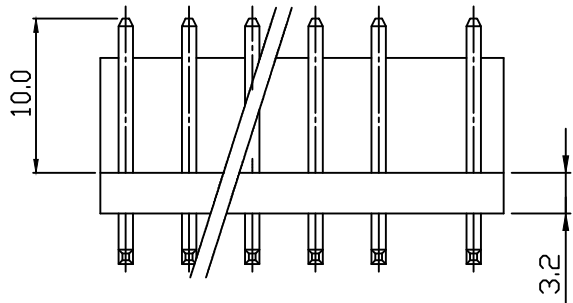
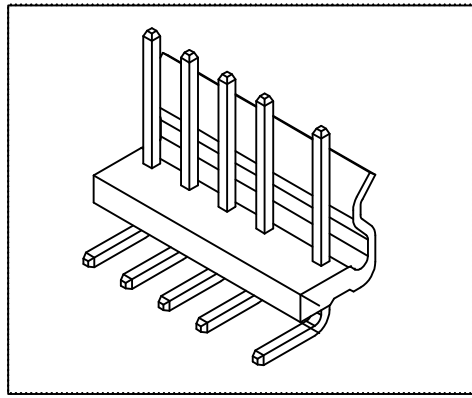
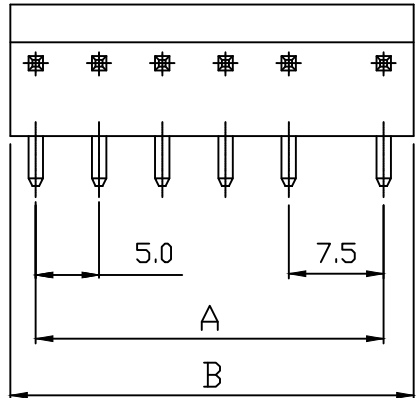


PART NO. 5088xxWR051
 DWG NO. C5088WR



TOLERANCES ARE NON-CUMULATIVE: ± 0.05

RECOMMENDED PCB LAYOUT
 (PCB THK=1.0~1.6)

Dimensional & Ordering Information:

Part No.	Circuits	Dim A	Dim B
508802WR051	2	7.50	12.50
508803WR051	3	12.50	17.50
508804WR051	4	17.50	22.50
508805WR051	5	22.50	27.50
508806WR051	6	27.50	32.50

NOTE:

1. Wafer Material: Nylon 66 UL94V-2
Pin/Pos Material: brass bronze.
2. Plated: Tin-plated 50u"min.
3. Insulation resistance: 1000M ohm/min.
4. Withstand voltage: 1500V AC/minute.
5. Current rating: 5A AC/DC.
6. Voltage rating: 250V AC/DC

REV.	REVISION	DIS	DATE

SCALE: 1/1 UNIT: mm THIRD ANGLE PROJECTION

UNLESS OTHERWISE SPECIFIED TOLERANCES
 3 PLACE $\pm 0.5 \pm 0.10$
 2 PLACE $\pm 1.5 \pm 0.35$
 1 PLACE $\pm 2.0 \pm 0.50$
 ANGLE DIM



DWG NO:	C5088WR	PART NO:	5088xxWR051
---------	---------	----------	-------------