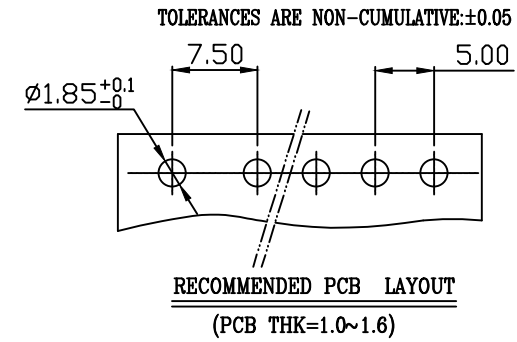
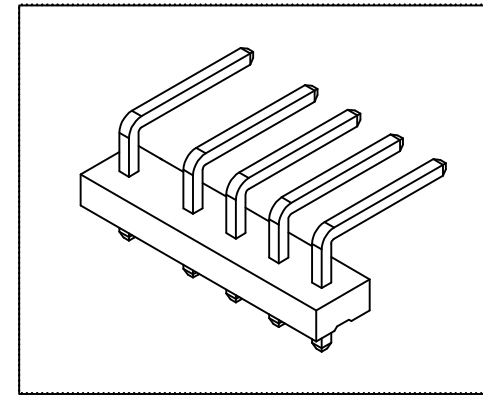
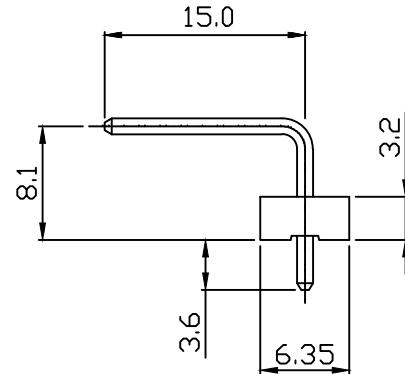
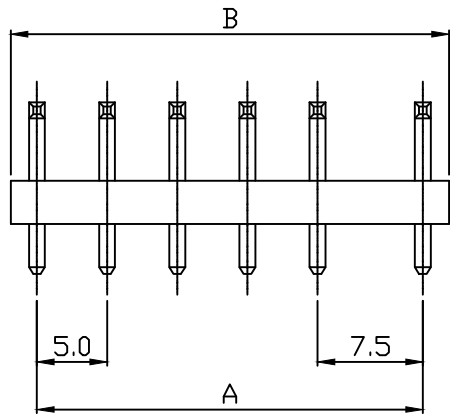
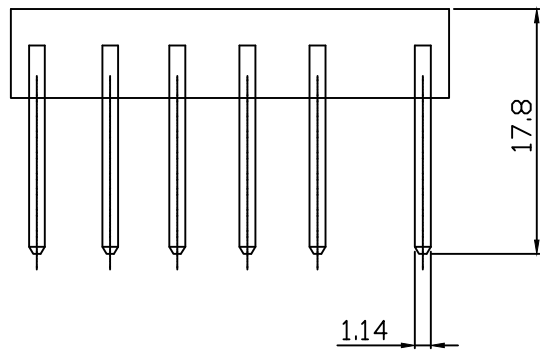


PART NO. 5088xxWB051
 DWG NO. C5088WB



Dimensional & Ordering Information:

Part No.	Circuits	Dim A	Dim B
508802WB051	2	7.50	12.50
508803WB051	3	12.50	17.50
508804WB051	4	17.50	22.50
508805WB051	5	22.50	27.50
508806WB051	6	27.50	32.50

NOTE:

1. Wafer Material: Nylon 66 UL94V-2
Pin/Pos Material: brass bronze.
2. Plated: Tin-plated 50u"min.
3. Insulation resistance: 1000M ohm/min.
4. Withstand voltage: 1500V AC/minute.
5. Current rating: 5A AC/DC.
6. Voltage rating: 250V AC/DC

				UNLESS OTHERWISE SPECIFIED TOLERANCES		
				3 PLACE ±0.5 ±0.10		
				2 PLACE ±1.5 ±0.35		
				1 PLACE ±2.0 ±0.50		
REV.	REVISION			DIS	DATE	ANGLE DIM
SCALE	REV.	PAGE:	UNIT	mm		DWG NO:
1/1	A	1/1	THIRD ANGLE PROJECTION			C5088WB
						PART.NO
						5088xxWB051