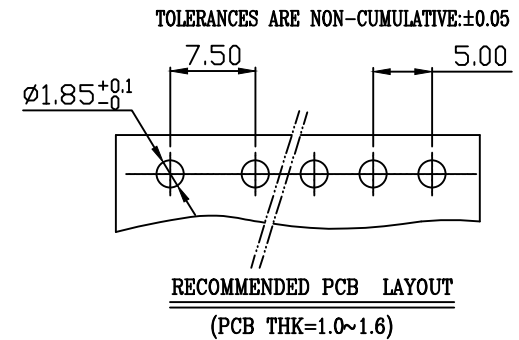
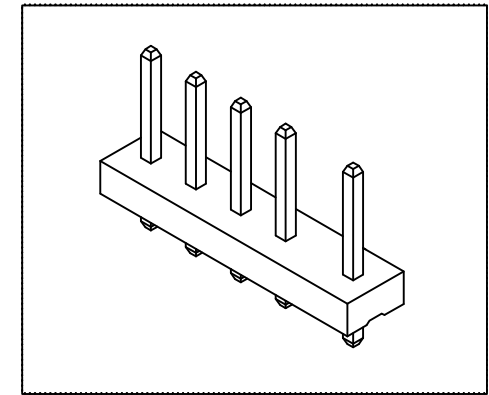
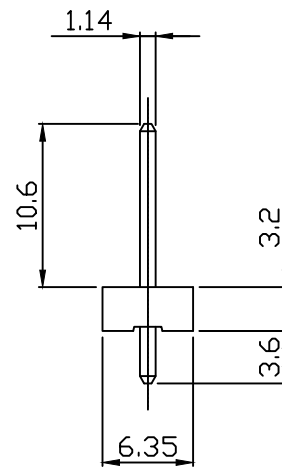
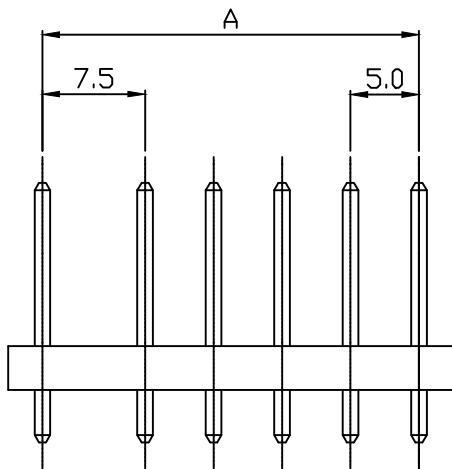
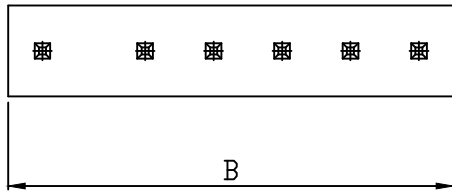


PART NO. 5088xxWA051
 DWG NO. C5088WA



Dimensional & Ordering Information:

Part No.	Circuits	Dim A	Dim B
508802WA051	2	7.50	12.50
508803WA051	3	12.50	17.50
508804WA051	4	17.50	22.50
508805WA051	5	22.50	27.50
508806WA051	6	27.50	32.50

NOTE:

1. Wafer Material: Nylon 66 UL94V-2
Pin/Pos Material: brass bronze.
2. Plated: Tin-plated 50u"min.
3. Insulation resistance: 1000M ohm/min.
4. Withstand voltage: 1500V AC/minute.
5. Current rating: 5A AC/DC.
6. Voltage rating: 250V AC/DC

REV.	REVISION	DIS	DATE

SCALE	REV.	PAGE	UNIT	mm	DWG NO:	PART.NO
3/1	A	1/1	THIRD ANGLE PROJECTION		C5088WA	5088xxWA051

UNLESS OTHERWISE SPECIFIED TOLERANCES
 3 PLACE ±0.5 ±0.10
 2 PLACE ±1.5 ±0.35
 1 PLACE ±2.0 ±0.50
 ANGLE DIM



EXCON

EXCON TECHNOLOGY COMPANY

PART.NO

C5088WA

5088xxWA051