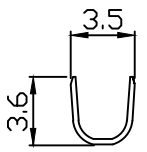
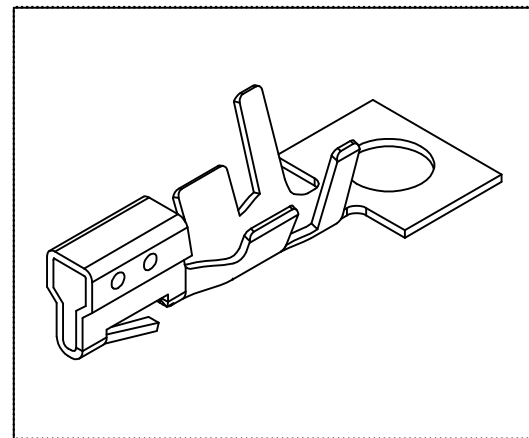
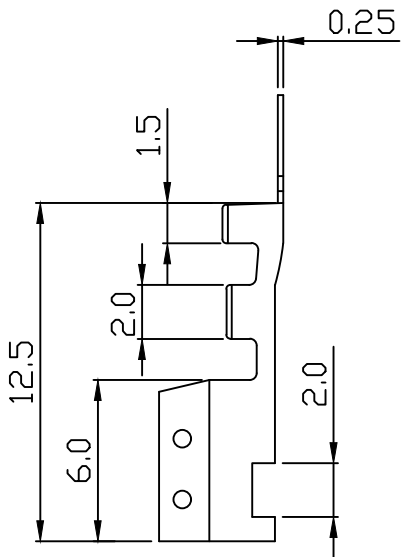
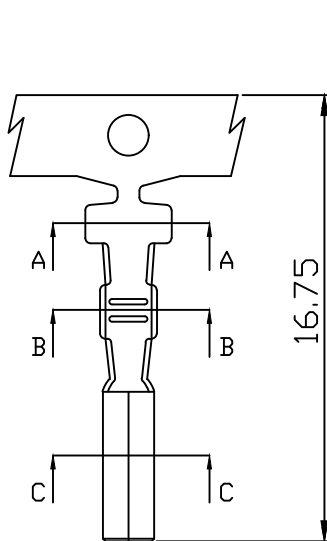
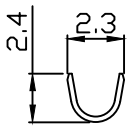


10 9 8 7 6 5 4 3 2 1

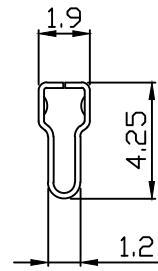
PART NO. 508800TCxxx  
 DWG NO. C5088TC



SEC A-A



SEC B-B



SEC C-C

**NOTE:**

1. Terminal Material: Brass , Phosphor
2. Plated: Tin-plated 50u"min.
3. Applicable wires: AWG#24-#18
4. Insulation O.D.: 1.3-3.2mm
5. Q'ty / reel: 5,000 pcs

**Ordering Information:**

Part No.	Material	Q'ty/reel
508800TC051	Brass	5,000pcs
508800TC351	Phosphor	5,000pcs

REV.	REVISION	DIS	DATE

UNLESS OTHERWISE SPECIFIED TOLERANCES  
 3 PLACE ±0.5 ±0.10  
 2 PLACE ±1.5 ±0.35  
 1 PLACE ±2.0 ±0.50  
 ANGLE DIM



SCALE	REV.	PAGE:	UNIT	mm	DWG NO:	PART.NO
5/1	A	1/1	THIRD ANGLE PROJECTION		C5088TC	508800TCxxx

10 9 8 7 6 5 4 3 2 1