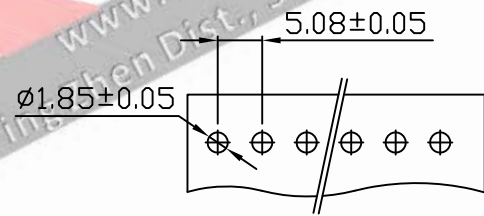
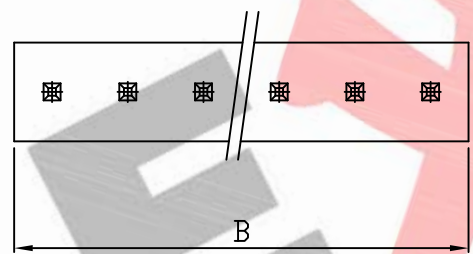
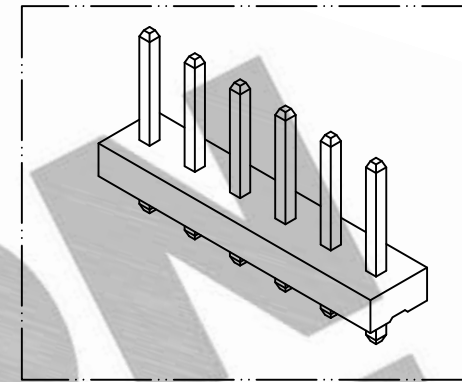
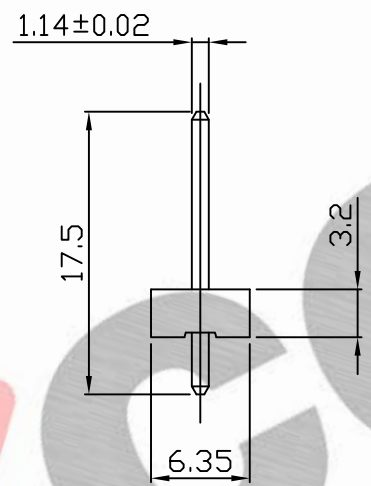
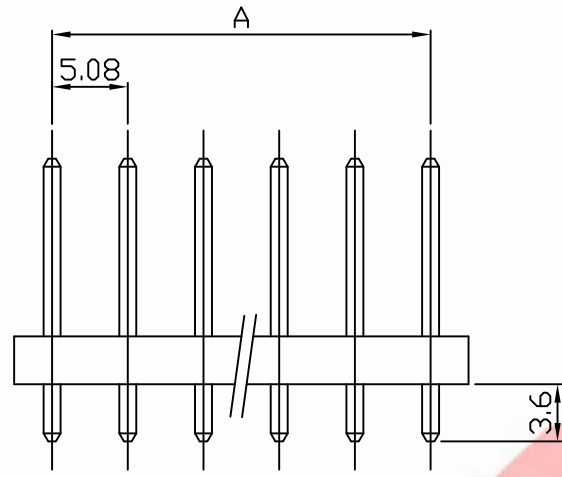


PART NO. 5087xxWA051
 DWG NO. C5087WA



RECOMMENDED PCB LAYOUT

Dimensional & Ordering Information:

Part No.	Circuits	Dim A	Dim B
508702WA051	2	5.08	10.16
508703WA051	3	10.16	15.24
508704WA051	4	15.24	20.32
508705WA051	5	20.32	25.40
508706WA051	6	25.40	30.48
508707WA051	7	30.48	35.56
508708WA051	8	35.56	40.64
508709WA051	9	40.64	45.72
508710WA051	10	45.72	50.80
508711WA051	11	50.80	55.88
508712WA051	12	55.88	60.96

NOTE:

- Wafer Material: Nylon 66 UL94V-2
Pin/Pos Material: brass bronze.
- Plated: Tin-plated 50u" min.
- Insulation resistance: 1000M ohm/min.
- Withstand voltage: 1500V AC/minute.
- Current rating: 5A AC/DC.
- Voltage rating: 250V AC/DC

UNLESS OTHERWISE SPECIFIED TOLERANCES			
3 PLACE ±0.5 ±0.10			
2 PLACE ±1.5 ±0.25			
1 PLACE ±2.0 ±0.50			
ANGLE DIM			
REV.	REVISION		DIS DATE
SCALE	REV.	PAGE:	UNIT mm
2/1	A	1/1	THIRD ANGLE PROJECTION

UNLESS OTHERWISE SPECIFIED TOLERANCES
 3 PLACE ±0.5 ±0.10
 2 PLACE ±1.5 ±0.25
 1 PLACE ±2.0 ±0.50
 ANGLE DIM
 DWG NO: C5087WA

EXCON
 EXCON TECHNOLOGY COMPANY
 PART.NO 5087xxWA051